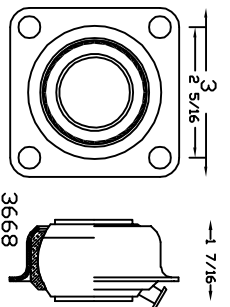
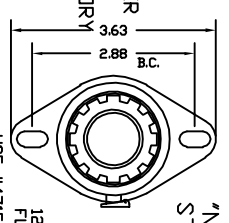
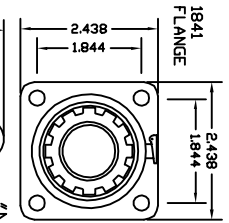
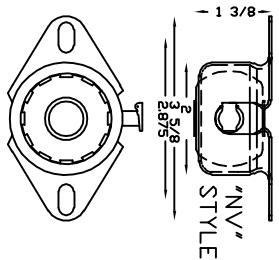
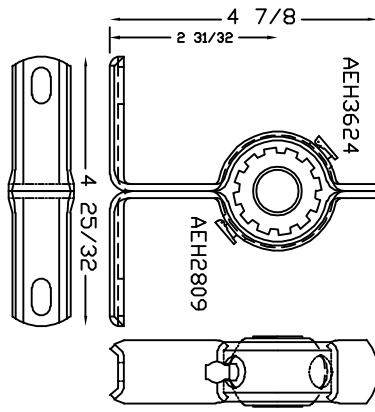
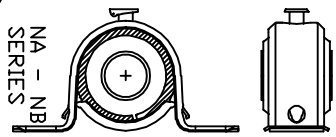


TRIANGLE CUSHIONED MOUNTINGS REFERENCE SHEET

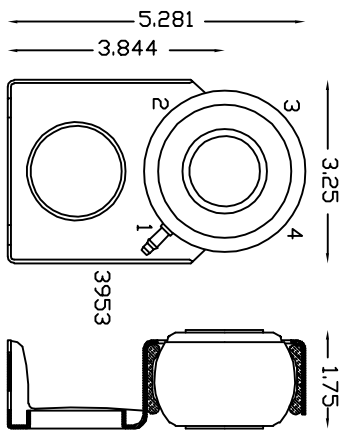
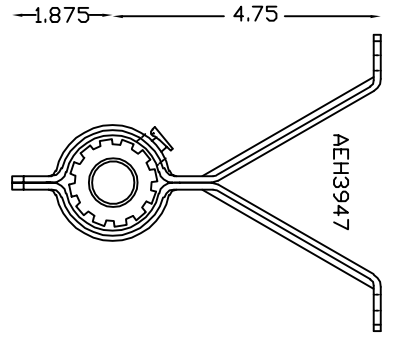
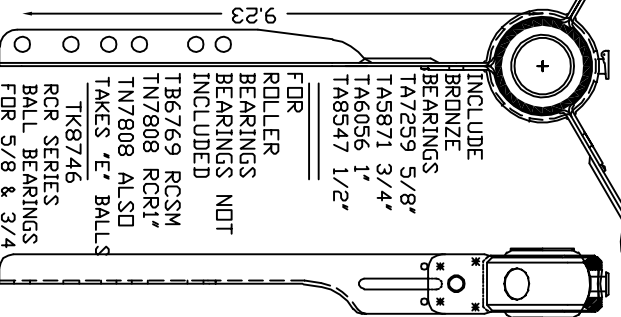
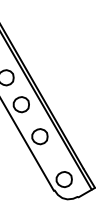
TRIANGLE MANUFACTURING CO.

P.O. BOX 1070
 DSHKDSH, WI. 54903-1070

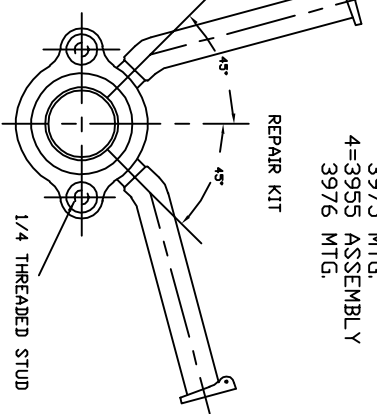
PHONE 920-235-3710
 FAX 920-235-4523



USE #4715 REPAIR KIT



- 1=3953 ASSEMBLY
- 3986 MTG.
- 2=3899 ASSEMBLY
- 3985 MTG.
- 3=3954 ASSEMBLY
- 3975 MTG.
- 4=3955 ASSEMBLY
- 3976 MTG.



USE #5510 REPAIR KIT

LS901
 10-15-91

1217 FLANGE WILL NO LONGER BE MADE WHEN INVENTORY IS GONE SUBSTITUTE 1841 FLANGE.