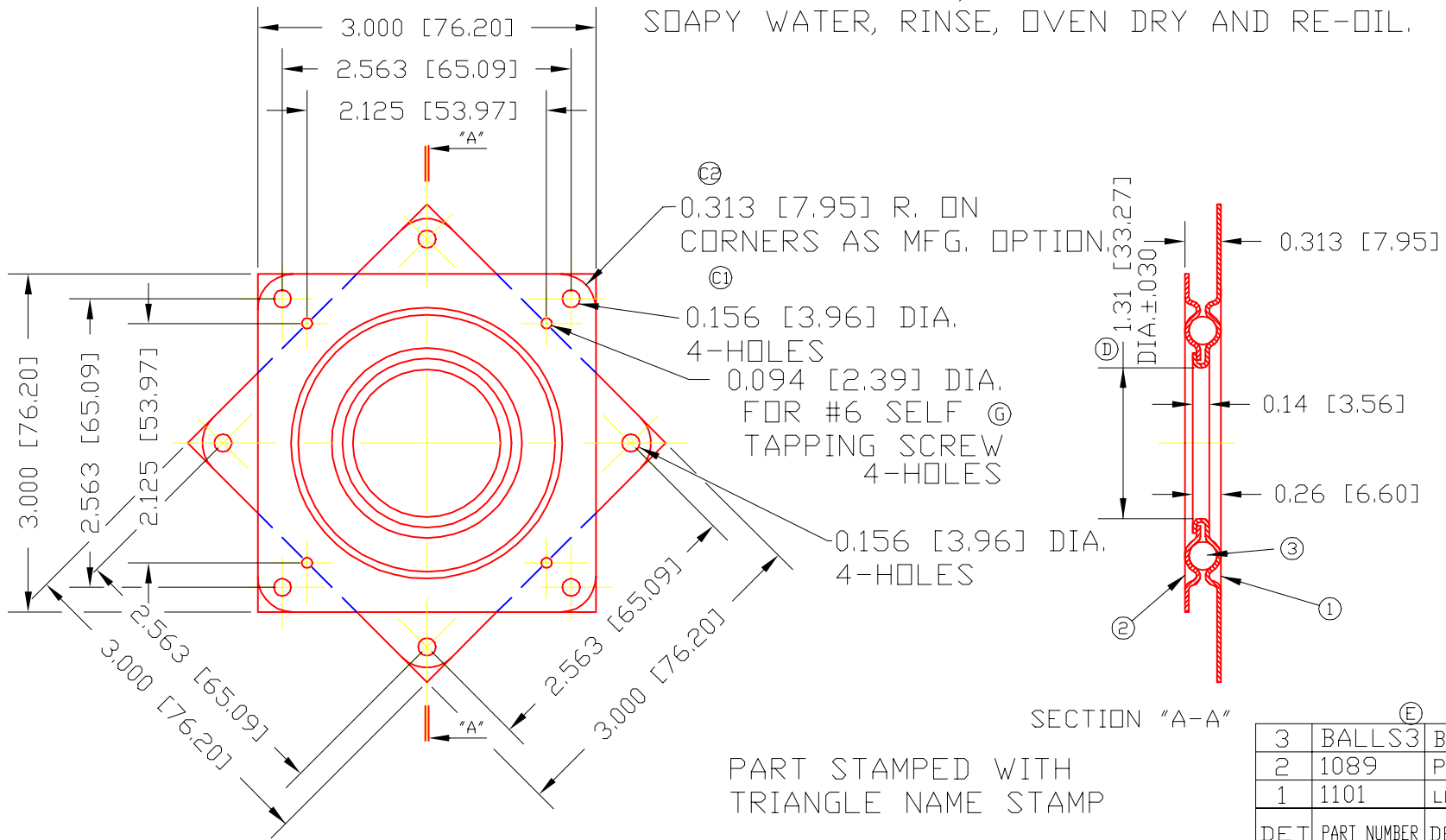


CAUTION: PROTECT BALLS AND RACES FROM SAWDUST, DIRT, PAINT, ETC. SHOULD BEARING BECOME "ROUGH" FROM DIRTY RACES, FLUSH THOROUGHLY WITH HOT SOAPY WATER, RINSE, OVEN DRY AND RE-OIL.



SECTION "A-A"

PART STAMPED WITH TRIANGLE NAME STAMP

DET	PART NUMBER	DESCRIPTION	AMT
3	BALLS3	BALL	1
2	1089	PLAIN RACE	1
1	1101	LOCKING RACE	1

B TRIANGLE MANUFACTURING CO.
OSHKOSH, WI.

NAME 3" LAZY SUSAN BRG.		PART NO. 3C	
USED IN		DATE 10-17-59	
DRAWN SP		CHECKED MJK	
SCALE 1 / 1			

FIT	////
PLATING	ELECTRO-GALV
MATERIAL	SEE DET.
ALL DIMS ±.020 UNLESS SPECIFIED	

CHANGE LEVEL
G 6-29-99

F