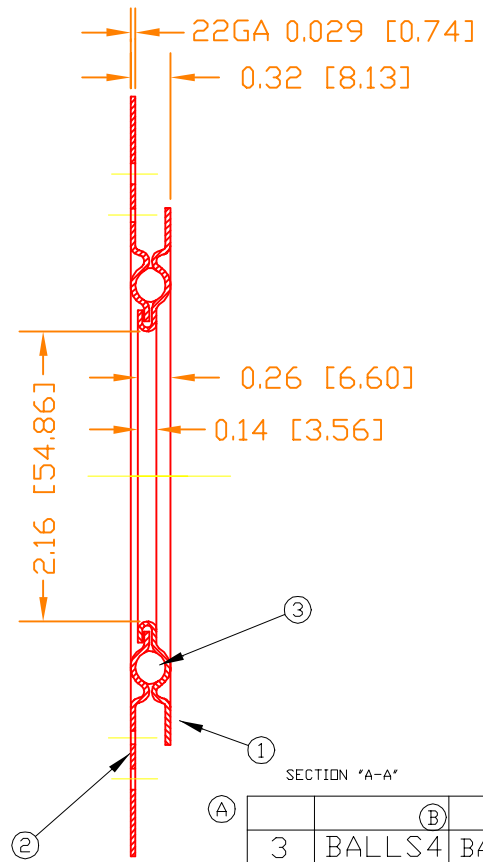
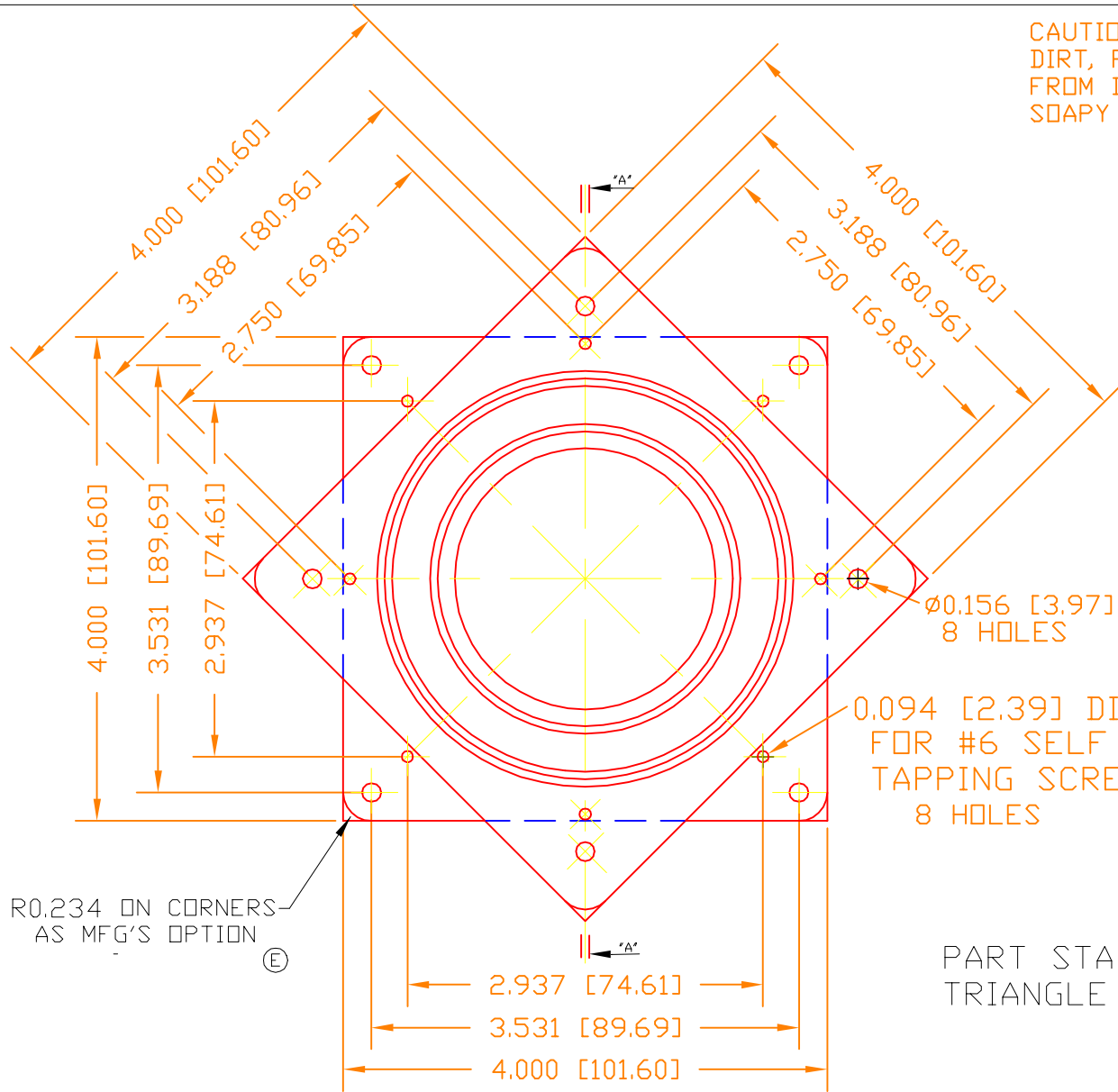


CAUTION: PROTECT BALLS AND RACES FROM SAWDUST, DIRT, PAINT, ETC. SHOULD BEARING BECOME "ROUGH" FROM DIRTY RACES, FLUSH THOROUGHLY WITH HOT SOAPY WATER, RINSE, OVEN DRY AND RE-OIL.



0.094 [2.39] DIA.  
FOR #6 SELF TAPPING SCREW  
8 HOLES

PART STAMPED WITH  
TRIANGLE NAME STAMP

SECTION 'A-A'

DET	PART NUMBER	DESCRIPTION	AMT
3	BALLS4	BALL	1
2	2823	PLAIN RACE	1
1	7119	STAMPING	1

B TRIANGLE MANUFACTURING CO.  
OSHKOSH, WI.

NAME 4" LAZY SUSAN BEARING

USED IN 4C SERIES

FIT	////
PLATING	ELECTRO-GALV
MATERIAL	SEE DETAILS
ALL DIMS	±.020 UNLESS SPECIFIED

DATE	11-25-59	PART NO.	
DRAWN	LML		
CHECKED	MJK		
SCALE	1 / 1		

4C

R0.234 ON CORNERS  
AS MFG'S OPTION

CHANGE LEVEL	
F	03-03-08