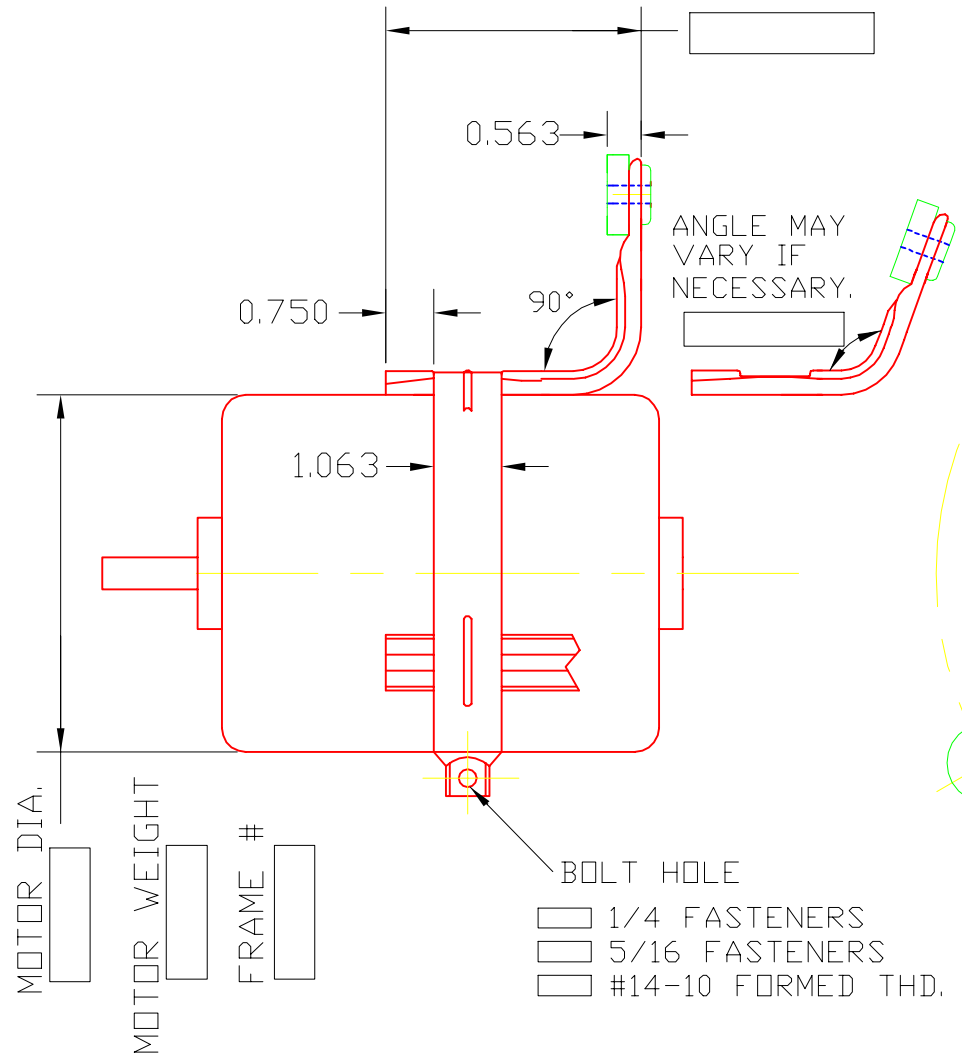
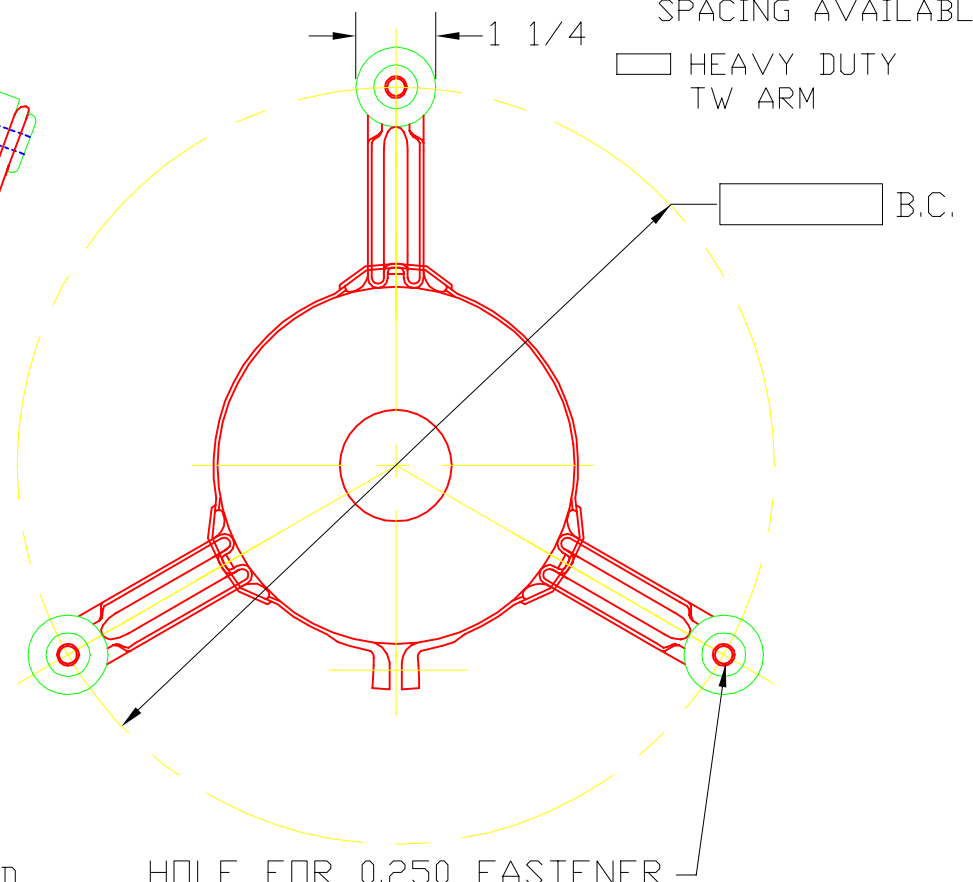


ALL TOLERANCES $\pm 1/32$

(3) ARM MOUNT (4) ARM MOUNT
 3-ARM SPACING 4-ARM SPACING
 120° STD. 90° IS STD.
 CAN MAKE OTHER CAN MAKE OTHER
 SPACING AVAILABLE.



- 1/4 FASTENERS
- 5/16 FASTENERS
- #14-10 FORMED THD.



NO. OF UNITS REQUIRED PER YEAR _____
 CUSTOMER PART NO. IS OPTIONAL _____
 CUSTOMER- _____

CHANGE LEVEL
 A 07-16-03

Triangle Mfg Co.
920-235-3710
Sales@TriangleOshkosh.com

| DET | PART NUMBER | DESCRIPTION | AMT |
|--------------------------|-------------|--|-----|
| B | | TRIANGLE MANUFACTURING CO. OSHKOSH, WI. | |
| NAME TR-APPLICATION DWG. | | | |
| USED IN // // // | | | |
| DATE | 01-23-90 | PART NO. | |
| DRAWN | SP | TR APPLICATION | |
| CHECKED | //// | | |
| SCALE | NONE | | |