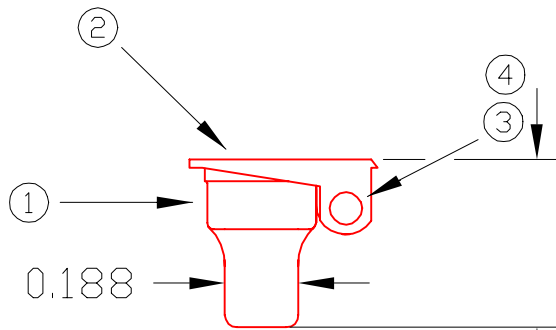
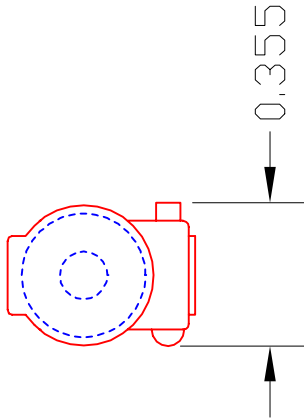


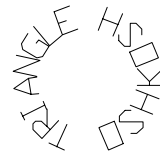
1062-5



.125 HOLE

2 X SIZE

NOTE: STAMP



4	7735	SPRING	1
3	7734	NAIL	1
2	7738	CAP	1
1	7742	BODY	1
DET	PART NUMBER	DESCRIPTION	AMT

▲ TRIANGLE MANUFACTURING CO.
OSHKOSH, WI.

NAME 3/16 OIL CUP

FIT	////
PLATING	////
MATERIAL	SEE DETAIL
ALL DIMS ±.020 UNLESS SPECIFIED	

USED IN	////
DATE	2-5-96
DRAWN	DR
CHECKED	////
SCALE	2 / 1
PART NO.	
1062-5	

CHANGE LEVEL			
-	-	-	-