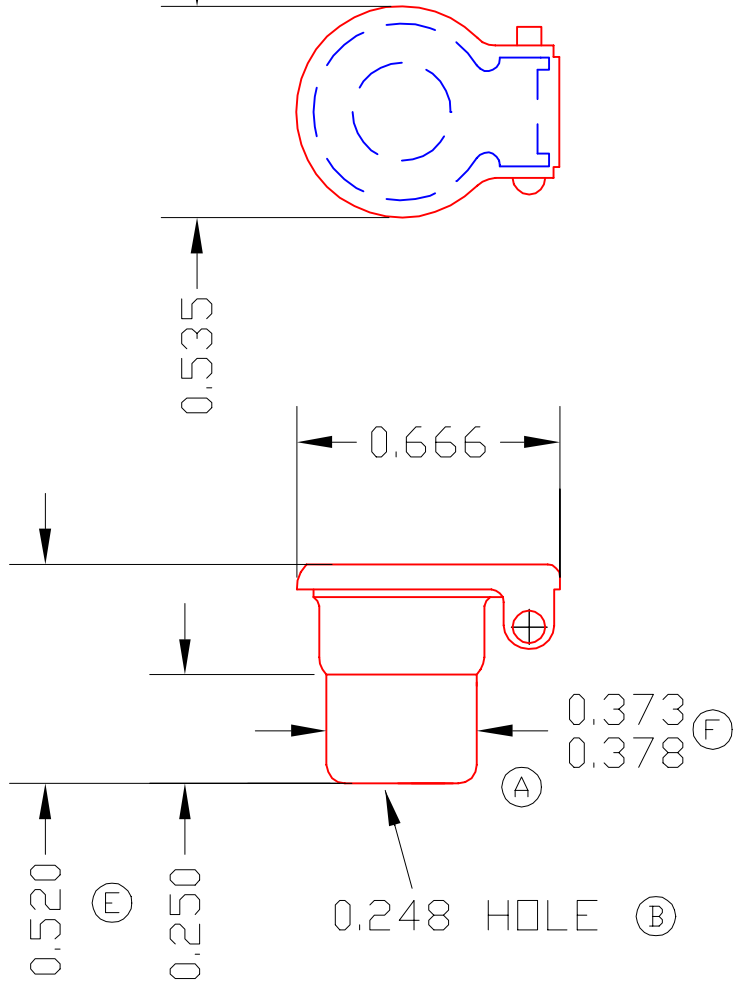
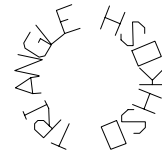


1062-8

NOTE: STAMP



1	7734	NAIL	1
1	7735	SPRING WIRE	1
1	7744	CAP	1
1	7743	BODY	1
DET	PART NUMBER	DESCRIPTION	AMT

(A) TRIANGLE MANUFACTURING CO.
OSHKOSH, WI.

NAME 3/8 OIL CUP

USED IN ////

DATE 02-16-96 PART NO.

DRAWN DR

CHECKED DR

SCALE 2 / 1

1062-8

2 X SIZE

FIT	////
PLATING	ZNCL.
MATERIAL	SEE DETAIL
ALL DIMS ±.020 UNLESS SPECIFIED	

CHANGE LEVEL	
F	08-13-98