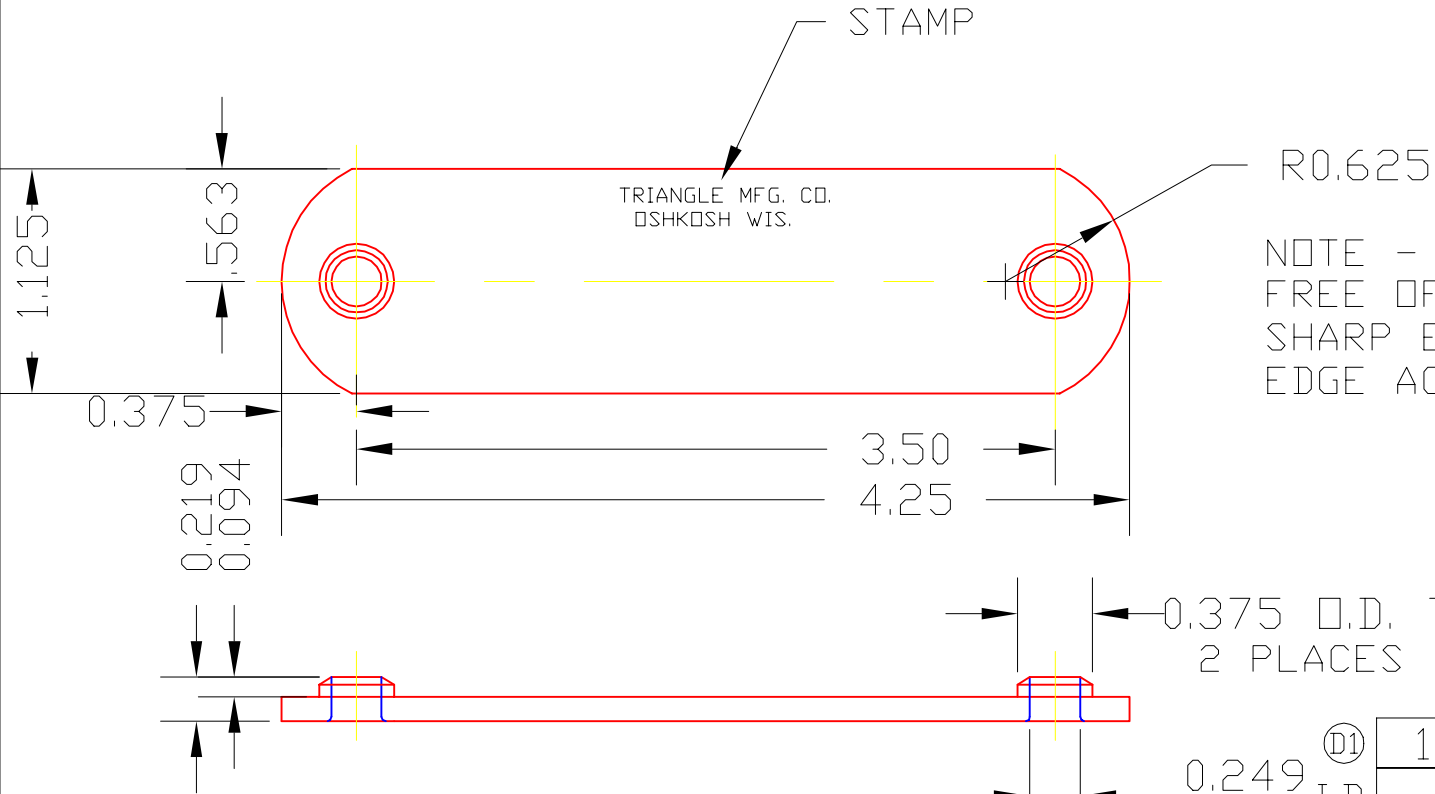


LE5133



NOTE - PART MUST BE FREE OF BURRS & SHARP EDGES EXCEPT SLIT EDGE ACCEPTABLE AS SLIT

1	LE6276	LINK	1
DET	PART NUMBER	DESCRIPTION	AMT
<sup>Ⓐ</sup> TRIANGLE MANUFACTURING CO. OSHKOSH, WI.			

NAME LINK	
USED IN	
DATE 3-1-77	PART NO.
DRAWN LML	LE5133
CHECKED SP	
SCALE 1 / 1	

FIT	////
PLATING	////
MATERIAL	SEE DETAIL
ALL DIMS ±.02 UNLESS SPECIFIED	

CHANGE LEVEL
D 8-25-87