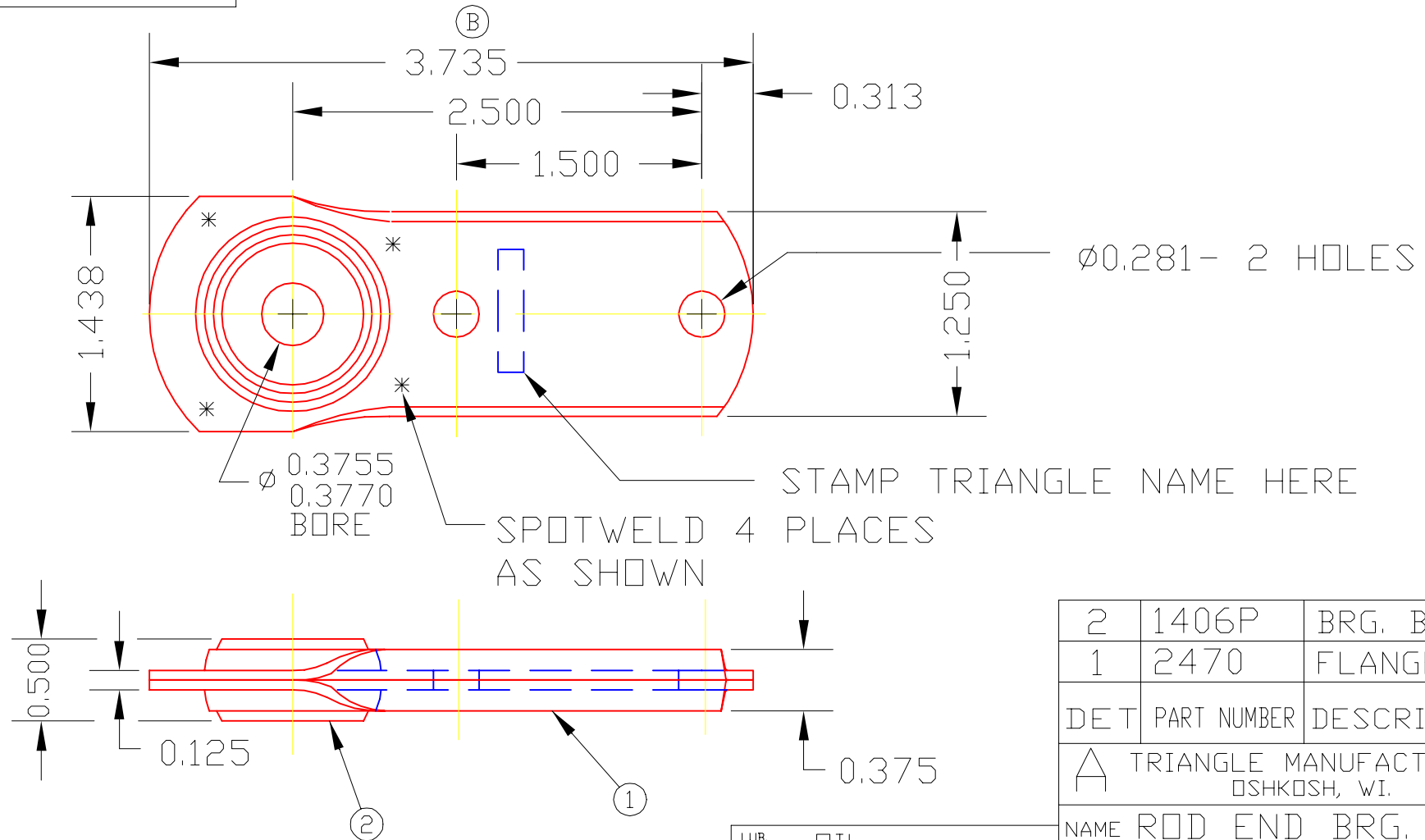


CD1406P



2	1406P	BRG. BALL	1
1	2470	FLANGE	2
DET	PART NUMBER	DESCRIPTION	AMT

▲ TRIANGLE MANUFACTURING CO.
OSHKOSH, WI.

NAME ROD END BRG. ASS'Y

USED IN CD SERIES

DATE	12-15-67	PART NO.	CD1406P
DRAWN	BW-88		
CHECKED	SP		
SCALE	1 / 1		

LUB.	OIL
PLATING	GALV.
MATERIAL	C.R.S. & SINT. BRONZE
ALL DIMS. ±.020 UNLESS OTHERWISE SPECIFIED	

CHANGE LEVEL	
D	01-07-98