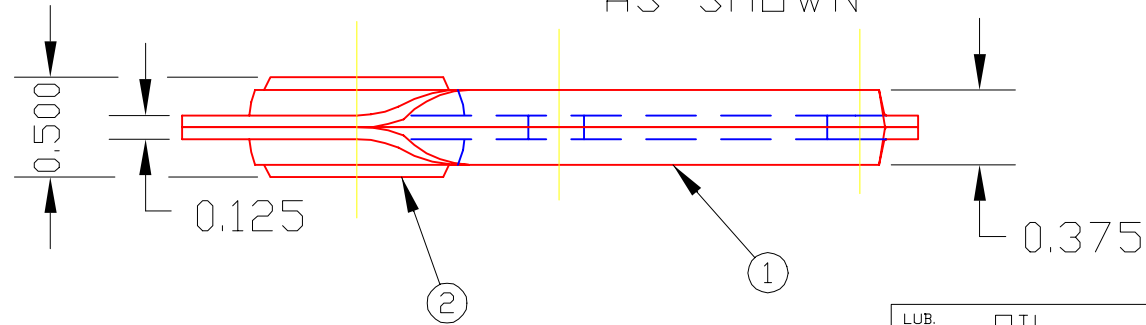
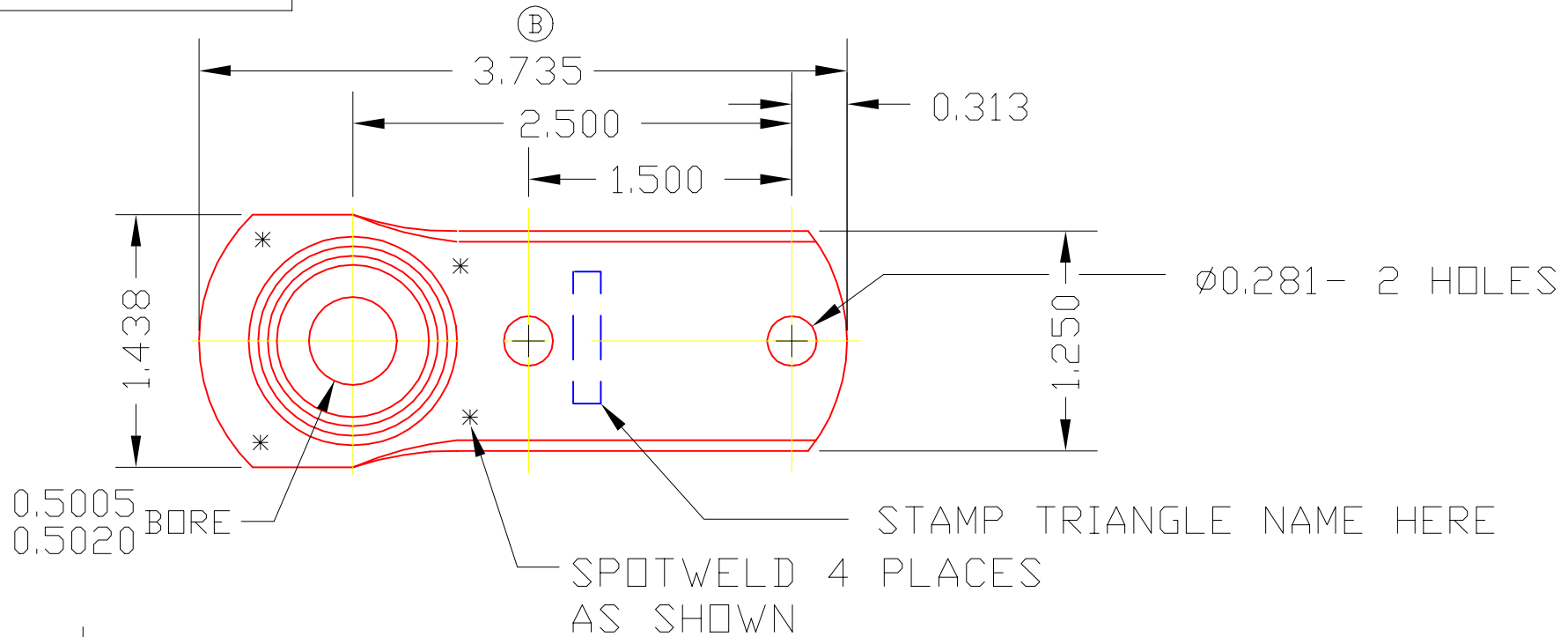


CD1508P



2	1508P	BRG. BALL	1
1	2470	FLANGE	2
DET	PART NUMBER	DESCRIPTION	AMT

△ TRIANGLE MANUFACTURING CO.
OSHKOSH, WI.

NAME ROD END BRG. ASS'Y

USED IN CD SERIES

DATE	07-02-92	PART NO.	CD1508P
DRAWN	SP		
CHECKED	SP		
SCALE		1 / 1	

LUB.	OIL
PLATING	GALV.
MATERIAL	C.R.S. & SINT. IRON
ALL DIMS. ±.020 UNLESS OTHERWISE SPECIFIED	

CHANGE LEVEL	
C	01-07-98