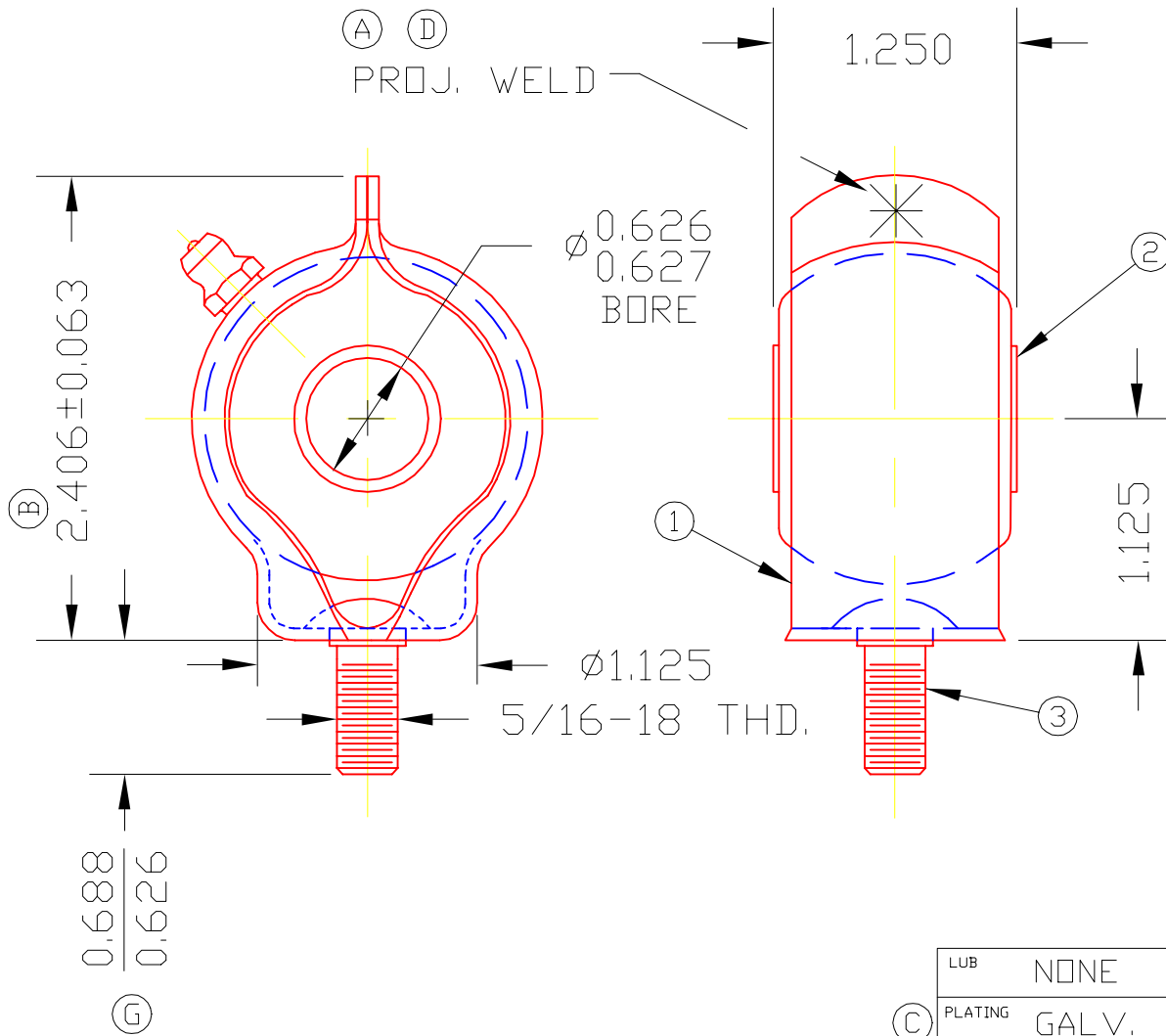


AJH10G



3	1891	BOLT	1
2	H10G	BRG. BALL	1
1	1843	MOUNTING	1

DET	PART NUMBER	DESCRIPTION	AMT
-----	-------------	-------------	-----

A TRIANGLE MANUFACTURING CO.  
 OSHKOSH, WI.

NAME CLAM SHELL BRG.

USED IN AJ SERIES

DATE	8-1-62	PART NO.
------	--------	----------

DRAWN	BW-88
-------	-------

CHECKED	SP
---------	----

SCALE	1 / 1
-------	-------

AJH10G

(C) LUB	NONE
PLATING	GALV.
MATERIAL	SEE DETAILS
ALL DIMS ±.02 UNLESS SPECIFIED	

CHANGE LEVEL
G 07-27-04