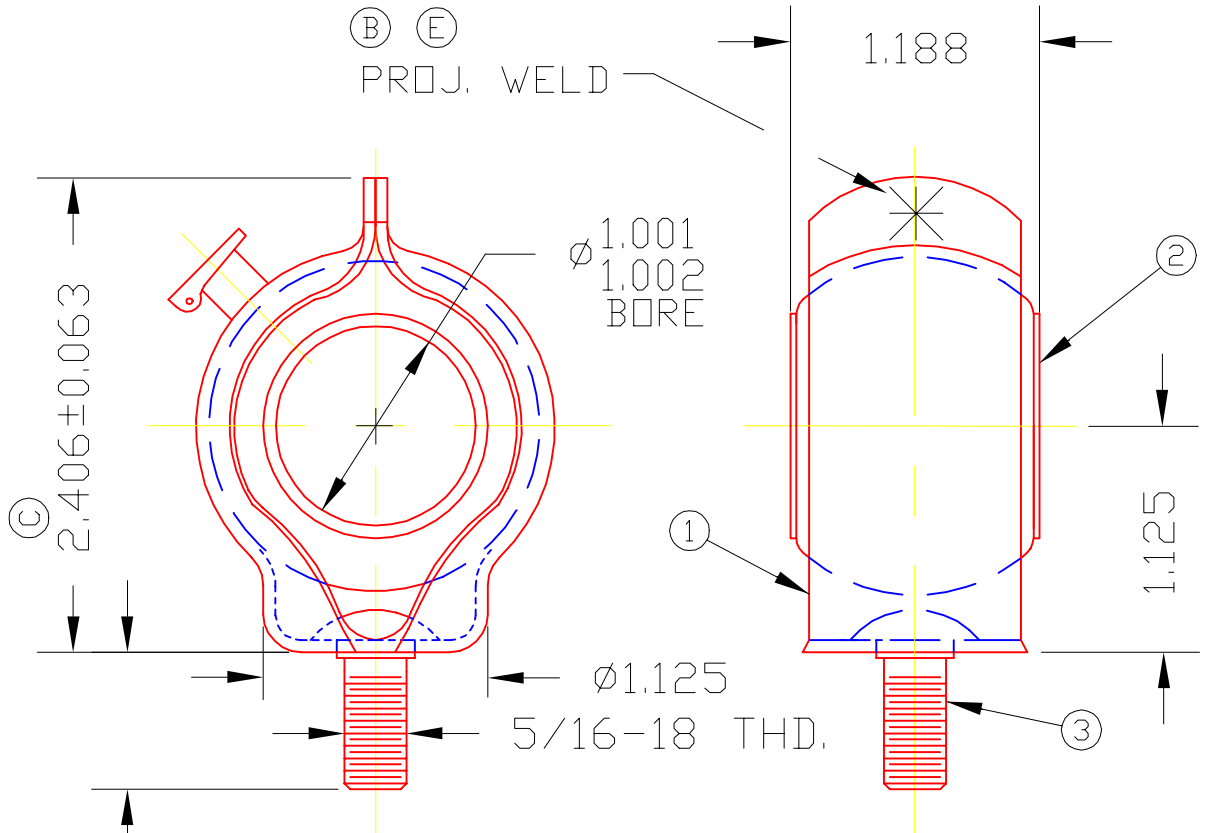


AJH16A



| | | | |
|---|------|-----------|---|
| 3 | 1891 | BOLT | 1 |
| 2 | H16A | BRG. BALL | 1 |
| 1 | 1843 | MOUNTING | 1 |

| DET | PART NUMBER | DESCRIPTION | AMT |
|--|-------------|-------------|-----|
| TRIANGLE MANUFACTURING CO. OSHKOSH, WI. | | | |

| | |
|----------------------|----------|
| NAME CLAM SHELL BRG. | |
| USED IN AJ SERIES | |
| DATE 5-25-60 | PART NO. |
| DRAWN BW-88 | AJH16A |
| CHECKED SP | |
| SCALE 1 / 1 | |

| | |
|--------------------------------|----------------|
| LUB | OIL T.M.C. #L1 |
| PLATING | GALV. |
| MATERIAL | SEE DETAILS |
| ALL DIMS ±.02 UNLESS SPECIFIED | |

0.688
0.626

| |
|--------------|
| CHANGE LEVEL |
| H 07-27-04 |