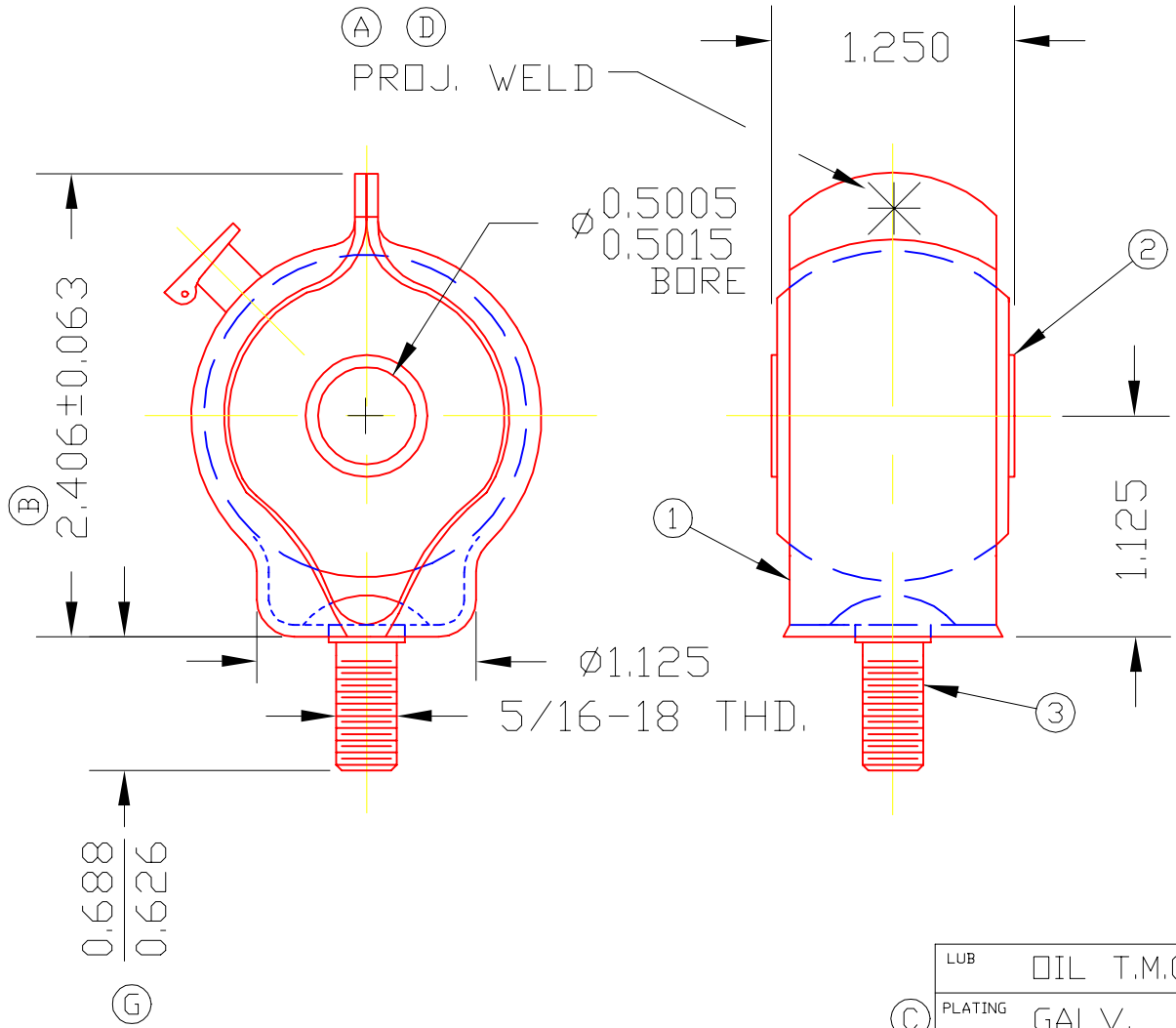


AJH8A



| | | | |
|---|------|-----------|---|
| 3 | 1891 | BOLT | 1 |
| 2 | H8A | BRG. BALL | 1 |
| 1 | 1843 | MOUNTING | 1 |

| DET | PART NUMBER | DESCRIPTION | AMT |
|-----|-------------|-------------|-----|
|-----|-------------|-------------|-----|

A TRIANGLE MANUFACTURING CO.
OSHKOSH, WI.

NAME CLAM SHELL BRG.

USED IN AJ SERIES

| | | |
|---------|--------|------------------------------|
| DATE | 8-1-62 | PART NO. AJH8A |
| DRAWN | BW-88 | |
| CHECKED | SP | |
| SCALE | 1 / 1 | |

| | |
|--------------------------------------|----------------|
| LUB | OIL T.M.C. #L1 |
| PLATING | GALV. |
| MATERIAL | SEE DETAILS |
| ALL DIMS ± 0.02 UNLESS SPECIFIED | |

| |
|--------------|
| CHANGE LEVEL |
| G 07-29-04 |