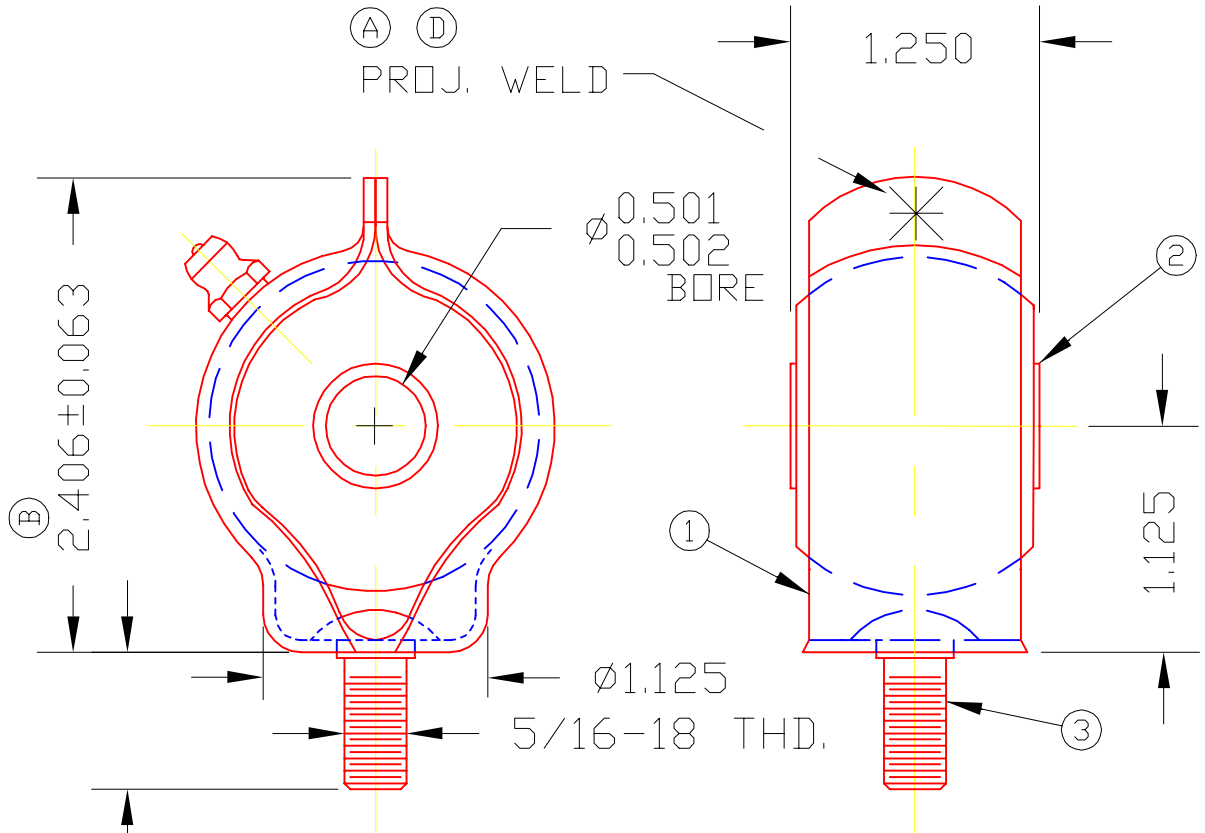


AJH8G



0.688
0.626

(G)

CHANGE LEVEL
G 07-29-04

(C)

LUB	NONE
PLATING	GALV.
MATERIAL	SEE DETAILS
ALL DIMS ± 0.02 UNLESS SPECIFIED	

3	1891	BOLT	1
2	H8G	BRG. BALL	1
1	1843	MOUNTING	1

DET	PART NUMBER	DESCRIPTION	AMT
-----	-------------	-------------	-----

A TRIANGLE MANUFACTURING CO.
OSHKOSH, WI.

NAME CLAM SHELL BRG.

USED IN AJ SERIES

DATE 8-1-62 PART NO.

DRAWN BW-88

CHECKED SP

SCALE 1 / 1

AJH8G