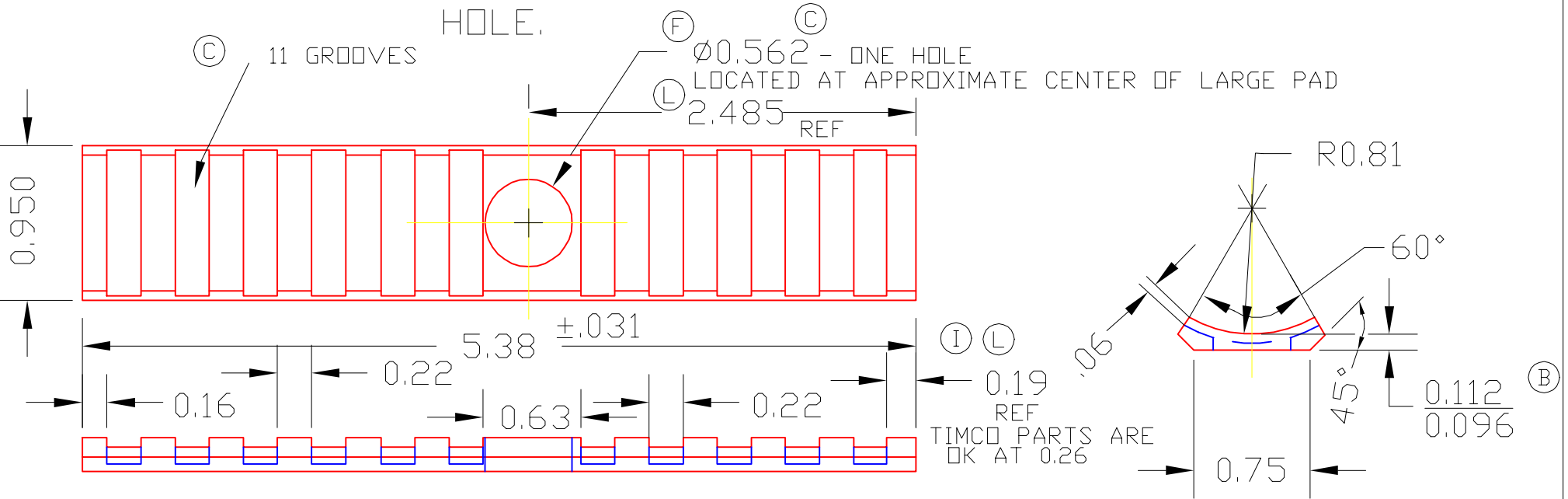


1052

NOTE: SOME FLASH IS ALLOWED  
 (F) AT EDGES AND CENTER  
 HOLE.



\*NOTE - NEOPRENE ASTM #SC515 50 DUROMETER (SHORE A) (K)  
 (D) OR NITRILE ASTM #SB-515-Z, ELECTRICALLY CONDUCTIVE  
 TO LIGHT A STANDARD NEON TEST LAMP

(J) "50 DUROMETER (SHORE A) NITRILE, 1500 lbs. TENSILE, ,  
 TIMCO COMPOUND 15289  
 ELECTRICALLY CONDUCTIVE. ELECTRICAL TEST = ZERO OHMS RESISTANCE  
 AT 500 VOLTS AND 10 TEROHMS (10 TO THE 12th  
 POWER OHMS) OF POWER." (K)

(M) CHANGE LEVEL 2000 PCS. PER. CARTON  
 M 05-17-06

FIT	////
PLATING	////
MATERIAL	SEE NOTE*
ALL DIMS. ±.020 UNLESS OTHERWISE SPECIFIED	

DET	PART NUMBER	DESCRIPTION	AMT
A		TRIANGLE MANUFACTURING CO. OSHKOSH, WI.	
NAME		CUSHION	
USED IN		////	
DATE	10-3-59	PART NO.	
DRAWN	LML		
CHECKED	MJK		
SCALE	1 / 1		
			1052