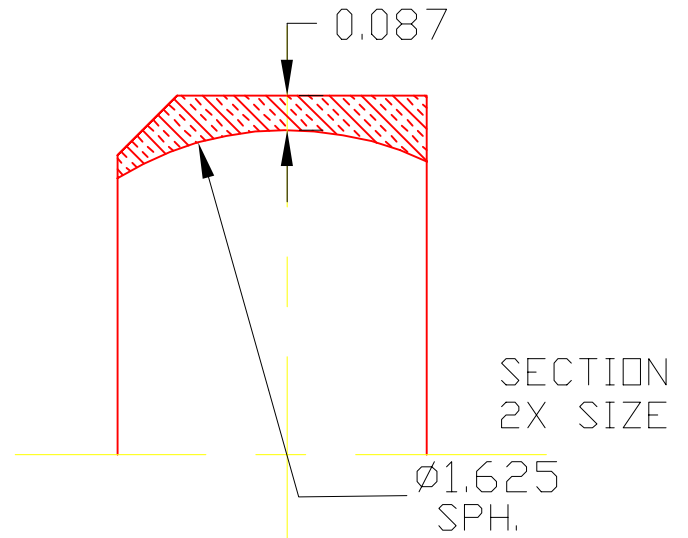
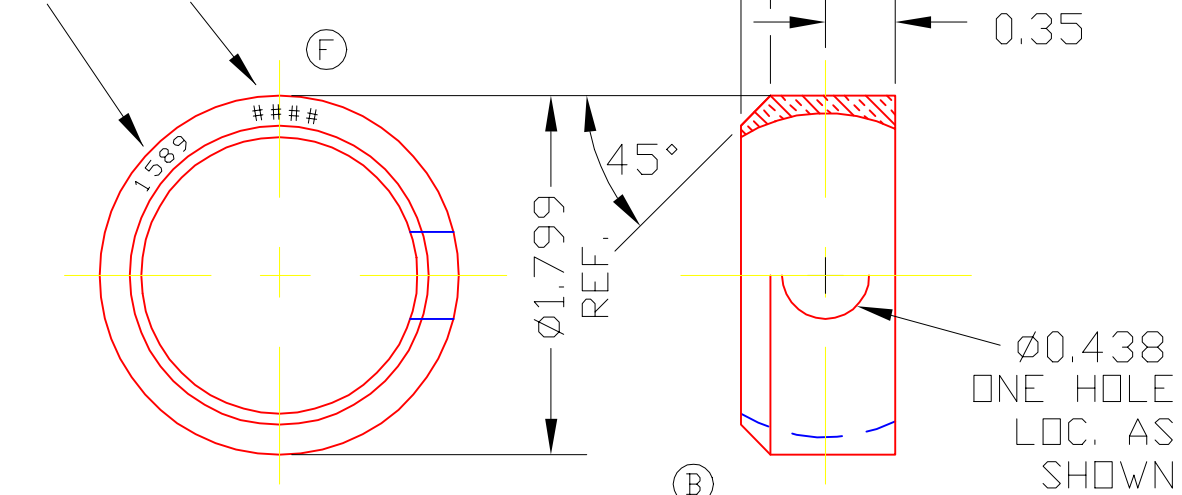


1589

(A)

1589 AND MOLD # MOLDED INTO CUSHION.



*MAT'L-NEOPRENE ASTM #SC-515 50 DUROMETER
 OR NITRILE ASTM #SB-515-Z ELECTRICALLY
 TO LIGHT A STANDARD NEON TEST LAMP

(E) (C)

(D)

| | | | |
|--|-------------|-------------|-----|
| 1 | 5463 | CUSHION | 1 |
| DET | PART NUMBER | DESCRIPTION | AMT |
| A TRIANGLE MANUFACTURING CO. OSHKOSH, WI. | | | |
| NAME BEARING CUSHION | | | |
| USED IN 1 5/8 DIA. BALLS | | | |
| DATE | 9-9-60 | PART NO. | |
| DRAWN | LML | 1589 | |
| CHECKED | MJK | | |
| SCALE | 1 / 1 | | |

| | |
|--------------------------------|-----------|
| FIT | //// |
| PLATING | //// |
| MATERIAL | SEE NOTE* |
| ALL DIMS ±.02 UNLESS SPECIFIED | |

| | |
|--------------|----------|
| CHANGE LEVEL | |
| F | 12-12-01 |