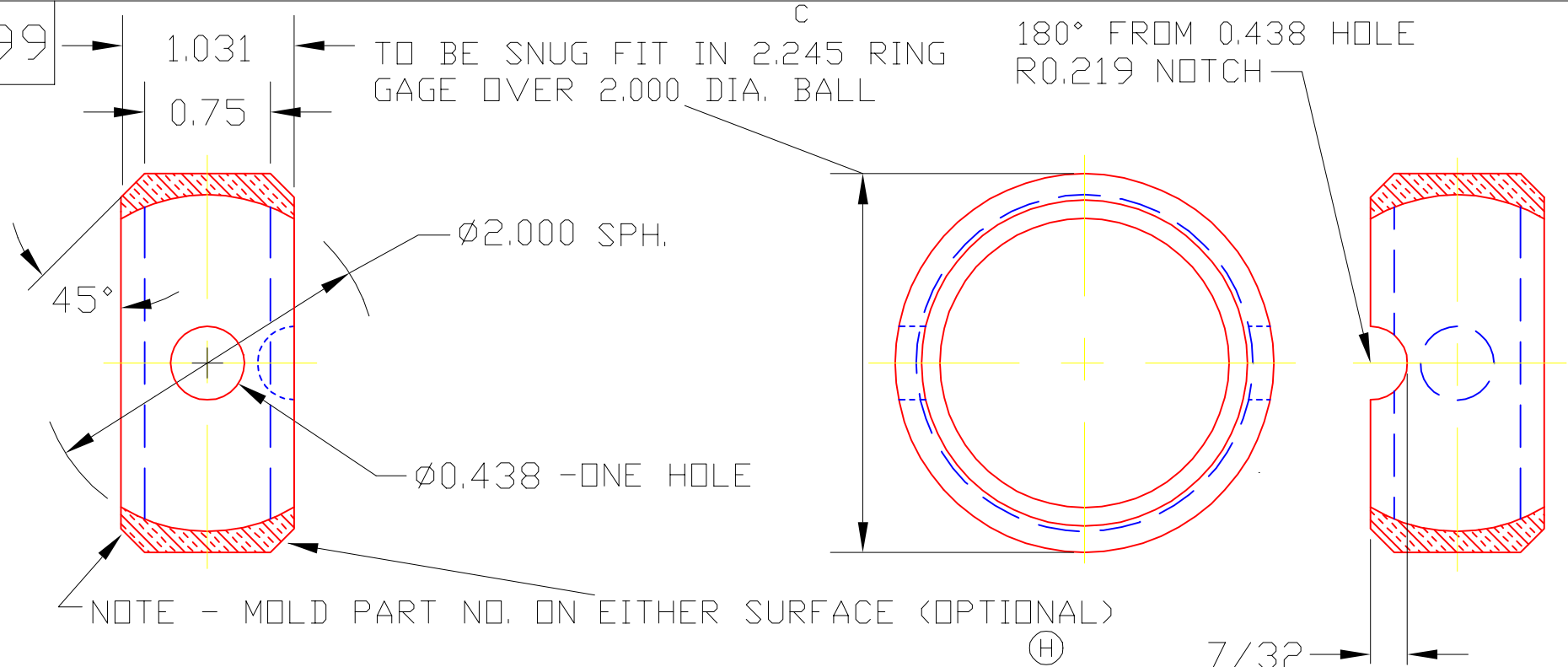


1899



TO BE SNUG FIT IN 2.245 RING GAGE OVER 2.000 DIA. BALL

180° FROM 0.438 HOLE R0.219 NOTCH

Ø2.000 SPH.

Ø0.438 - ONE HOLE

NOTE - MOLD PART NO. ON EITHER SURFACE (OPTIONAL)

7/32 NOTCH DEPTH MFG. REF.

\*MAT'L-NEOPRENE ASTM #SC-515J  
 50 DUROMETER (SHORE A), ABRASION RESISTANT  
 OR NITRILE ASTM #SB-515-Z, ELECTRICALLY CONDUCTIVE  
 TO LIGHT A STANDARD NEON TEST LAMP

"50 DUROMETER (SHORE A) NITRILE, 1500 lbs. TENSILE, TIMCO COMPOUND 15289, ELECTRICAL TEST = ZERO OHMS RESISTANCE AT 500 VOLTS AND 10 TEROHMS (10 TO THE 12th POWER OHMS) OF POWER."

| DET                   | PART NUMBER | DESCRIPTION                                | AMT |
|-----------------------|-------------|--|-----|
| A                     |             | TRIANGLE MANUFACTURING CO.<br>OSHKOSH, WI. |     |
| NAME CUSHION          |             |  |     |
| USED IN 2" DIA. BALLS |             |  |     |
| DATE                  | 10-30-61    | PART NO.                                   |     |
| DRAWN                 | LML         | 1899                                       |     |
| CHECKED               | MJK         |  |     |
| SCALE 1 / 1           |             |  |     |

|                                |           |
|--------------------------------|-----------|
| FIT                            | ////      |
| PLATING                        | ////      |
| MATERIAL                       | SEE NOTE* |
| ALL DIMS ±.02 UNLESS SPECIFIED |           |

|              |          |
|--------------|----------|
| CHANGE LEVEL |          |
| I            | 05-10-04 |