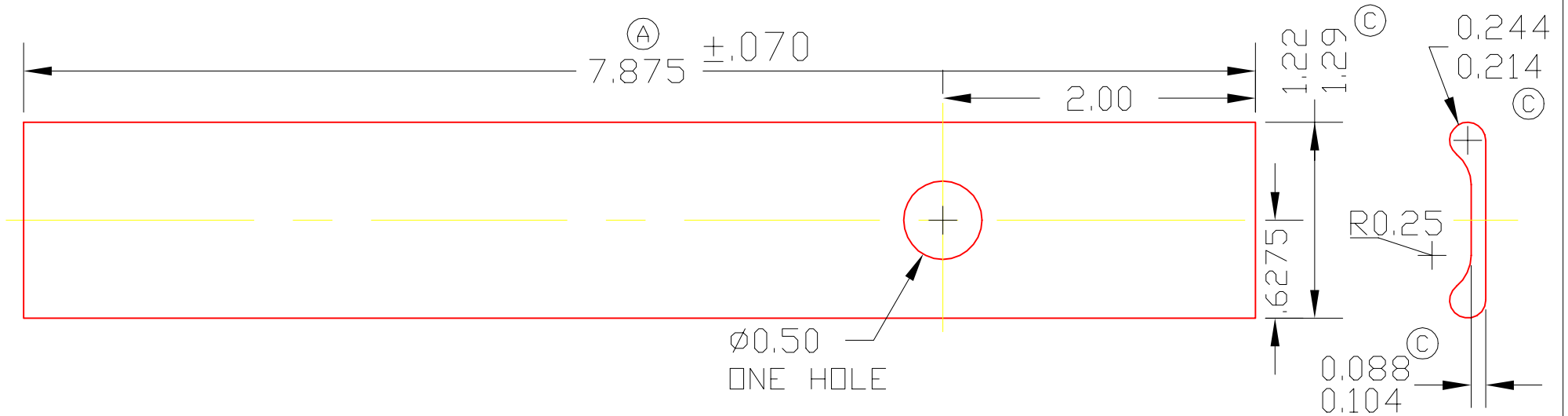


4200



*MAT'L - NEOPRENE ASTM #SC-515 50 DUROMETER (SHORE A)
 OR NITRILE ASTM #SB-515-Z CONDUCTIVITY TO LIGHT A
 (B) STANDARD NEON TEST LAMP

(F)

DET	PART NUMBER	DESCRIPTION	AMT
	A	TRIANGLE MANUFACTURING CO. OSHKOSH, WI.	
NAME BEARING CUSHION			
USED IN			
DATE	1-22-71	PART NO.	
DRAWN	LML	4200	
CHECKED	MJK		
SCALE	1 / 1		

FIT	////
PLATING	////
MATERIAL	SEE NOTE*
ALL DIMS ±.02 UNLESS SPECIFIED	

CHANGE LEVEL	
F	05-10-04