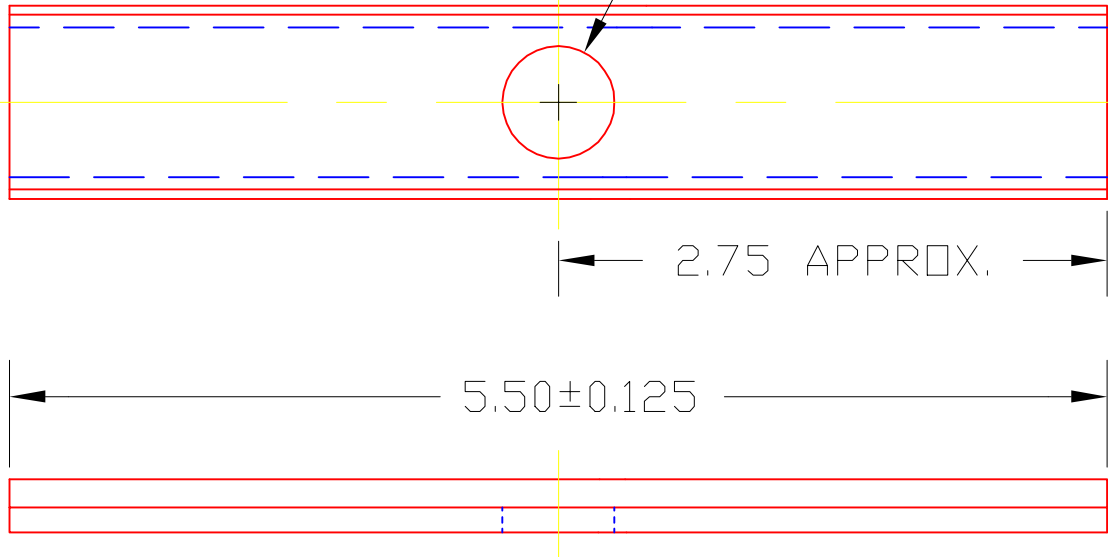


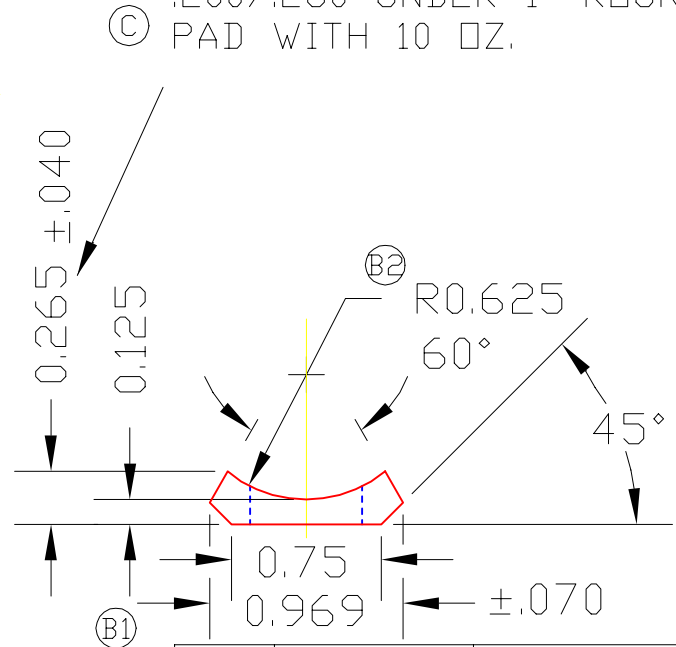
4706

ALL TOLERANCES PER RMA CLASS-2

Ø0.563 -ONE HOLE  
LOCATED IN CENTER  
OF PAD TO ±.12



THIS DIM SHOULD MEASURE  
.200/.280 UNDER 1" ROUND  
PAD WITH 10 OZ.



\*MAT'L-CLOSED-CELL SPONGE RUBBER #SCE-43  
(NEOPRENE) WITH ELECTRICAL CONDUCTIVITY TO  
LIGHT A STANDARD NEON TEST LAMP

Ⓐ

1	4590	CUSHION	1
DET	PART NUMBER	DESCRIPTION	AMT

△ TRIANGLE MANUFACTURING CO.  
OSHKOSH, WI.

NAME CUSHION

USED IN 1 11/16 BALLS

DATE 5-23-75	PART NO.
DRAWN LML	4706
CHECKED MJK	
SCALE 1 / 1	

FIT	////
PLATING	////
MATERIAL	SEE NOTE*
ALL DIMS ±.02 UNLESS SPECIFIED	

CHANGE LEVEL
C 02-04-93