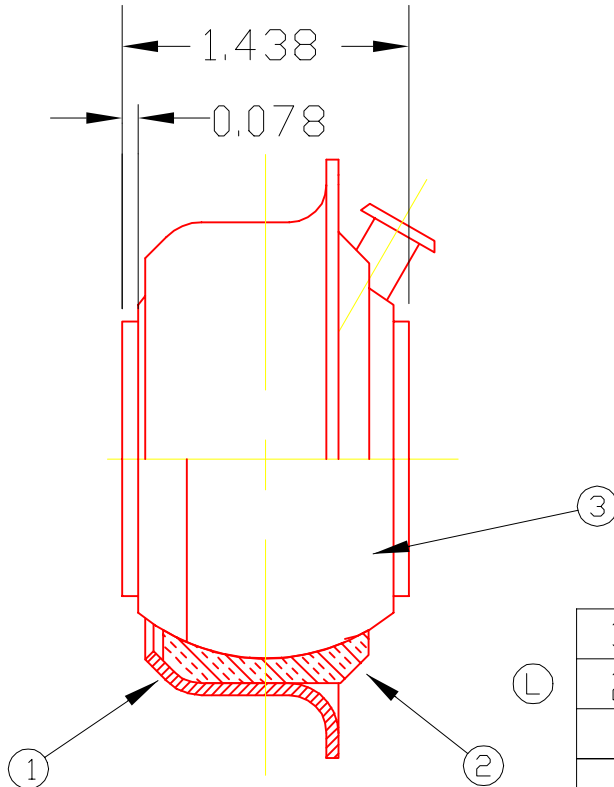
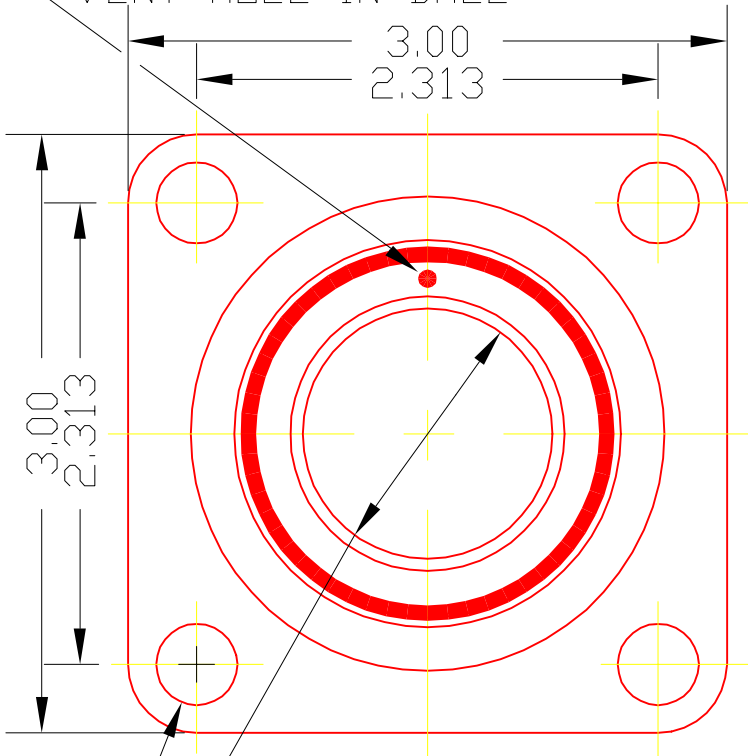


3668

OIL CUP MUST BE IN LINE WITH VENT HOLE IN BALL



Ø0.406 4 HOLES
 Ø1.2510 BORE
 Ⓚ 1.2527 PLUG GAUGE

DET	PART NUMBER	DESCRIPTION	AMT
3	E20K	BRG. BALL	1
2	1899	CUSHION	1
1	3711	MOUNTING	1

(L)

(M)

△ TRIANGLE MANUFACTURING CO.
 OSHKOSH, WI.

NAME CUSHIONED FLANGE BRG.

USED IN	////
DATE	10-20-65
DRAWN	LML
CHECKED	MJK
SCALE	1 / 1

3668

CHANGE LEVEL
M 03-10-09

LUB.	OIL T.M.C. #L-1
PLATING	///
MATERIAL	SEE DETAILS
ALL DIMS ±.02 UNLESS SPECIFIED	