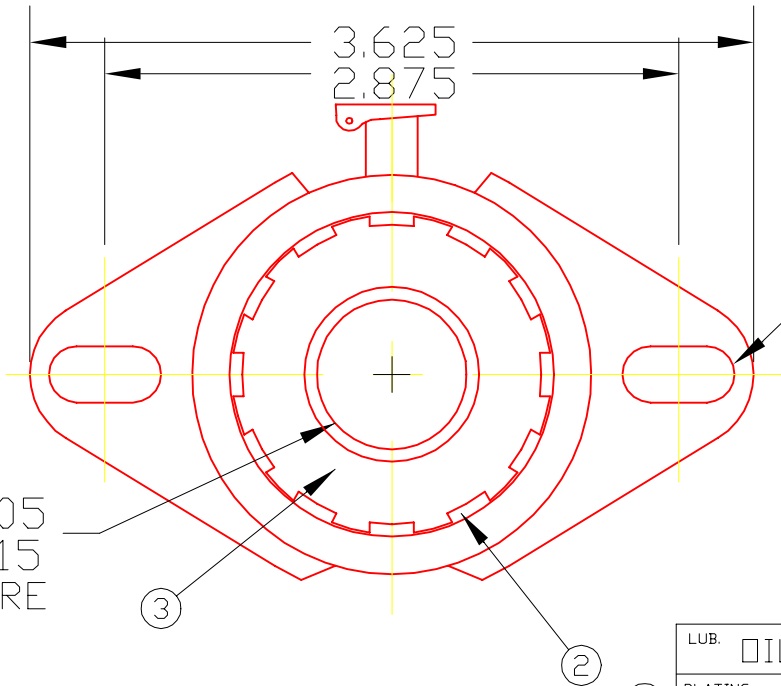
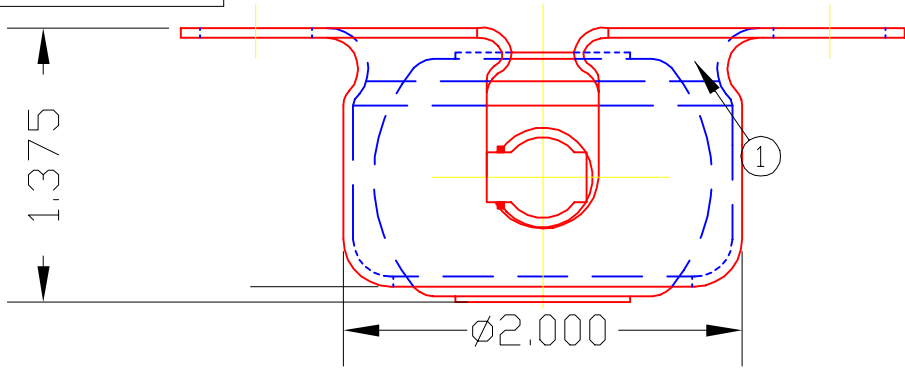


NVH12A



2 SLOTS
0.281 WIDEX0.563 LONG

3	H12A	BALL ASS'Y	1
2	1052	CUSHION	1
1	1678	BRACKET	1

DET	PART NUMBER	DESCRIPTION	AMT
-----	-------------	-------------	-----

△ TRIANGLE MANUFACTURING CO.
OSHKOSH, WI.

NAME FLANGE PILLOW BLOCK

USED IN	////
DATE	10-26-60
DRAWN	BW-88
CHECKED	////
SCALE	1 / 1

NVH12A

LUB.	OIL-T.M.C. #L-1
PLATING	GALV
MATERIAL	SEE DETAILS
ALL DIMS ± 0.02 UNLESS SPECIFIED	

CHANGE LEVEL
B 1-10-74