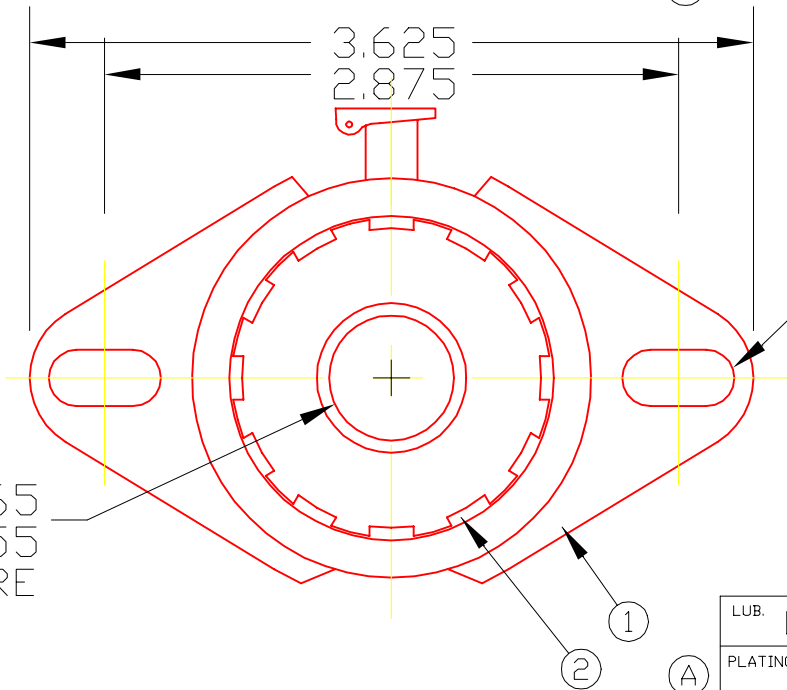
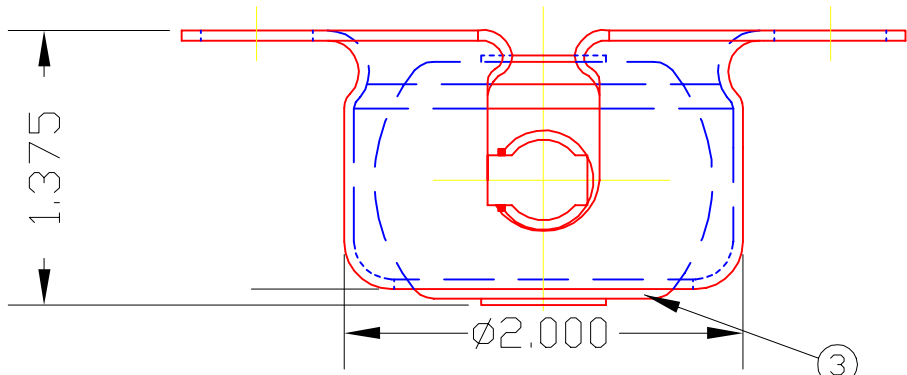


NVH10A



NOTE - NOTCH ON ONE SIDE
LONGER THAN OTHER TO
ALLOW FOR OIL CUP

2 SLOTS
0.281 WIDE X 0.563 LONG

3	H10A	BALL ASS'Y	1
2	1052	CUSHION	1
1	1678	BRACKET	1
DET	PART NUMBER	DESCRIPTION	AMT

△ TRIANGLE MANUFACTURING CO.
OSHKOSH, WI.

NAME FLANGE PILLOW BLOCK

USED IN // // //

DATE 5-16-61 PART NO.

DRAWN BW-88

CHECKED // // //

SCALE 1 / 1

NVH10A

LUB.	OIL-T.M.C. #L-1
PLATING	GALV
MATERIAL	SEE DETAILS
ALL DIMS ±.02 UNLESS SPECIFIED	

CHANGE LEVEL
A 1-10-74