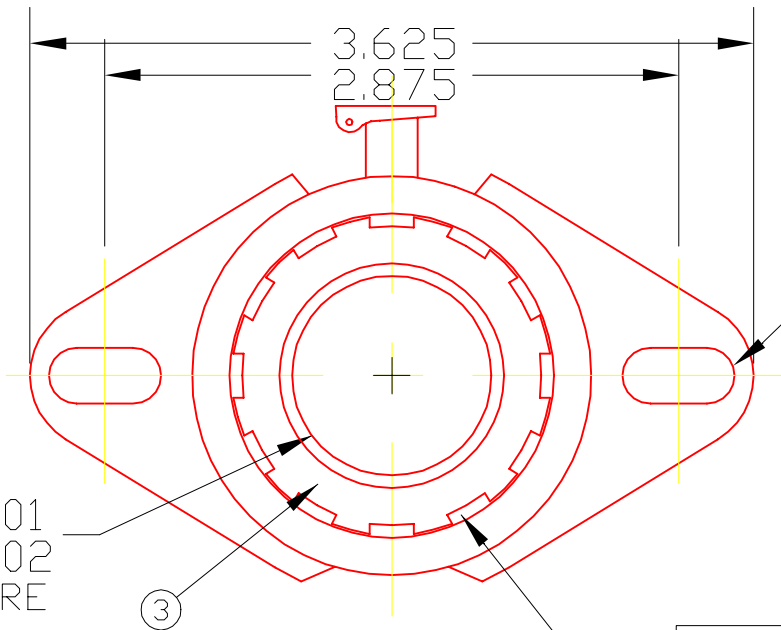
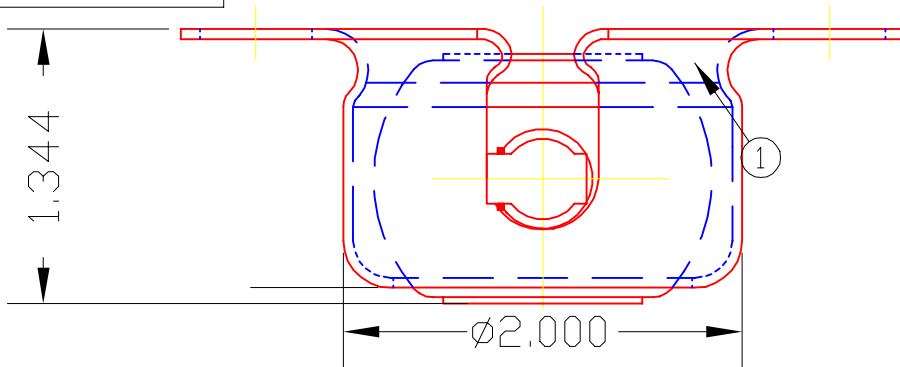


NVH16A



NOTE - NOTCH ON ONE SIDE LONGER THAN OTHER TO ALLOW FOR OIL CUP

2 SLOTS
0.281 WIDEX0.563 LONG

3	H16A	BALL ASS'Y	1
2	1052	CUSHION	1
1	1678	BRACKET	1

DET	PART NUMBER	DESCRIPTION	AMT
-----	-------------	-------------	-----

▲ TRIANGLE MANUFACTURING CO.
OSHKOSH, WI.

NAME FLANGE PILLOW BLOCK

USED IN // // //

DATE 5-16-61 PART NO.

DRAWN BW-88

CHECKED // // //

SCALE 1 / 1

NVH16A

CHANGE LEVEL
A 1-10-74

LUB.	OIL-T.M.C. #L-1
PLATING	GALV
MATERIAL	SEE DETAILS
ALL DIMS ±.02 UNLESS SPECIFIED	