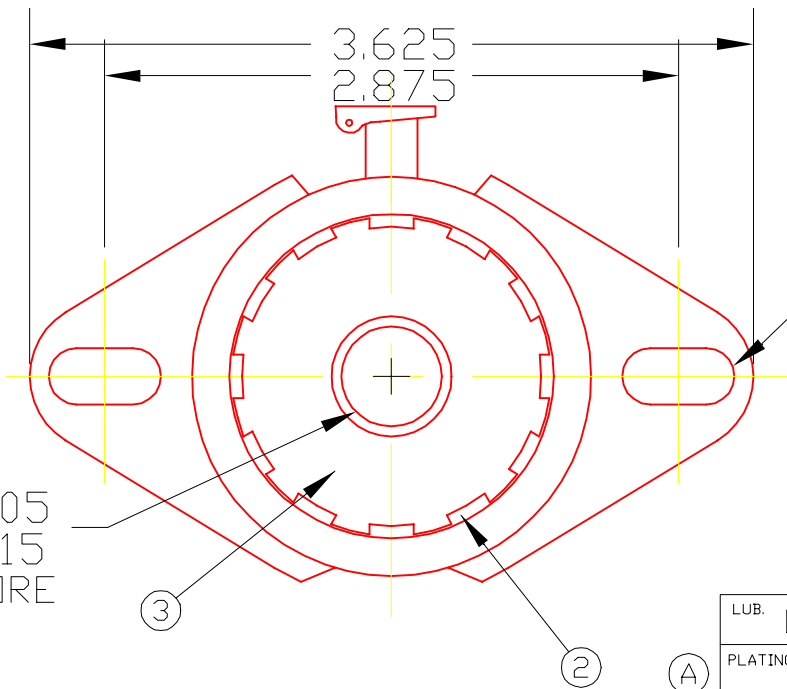
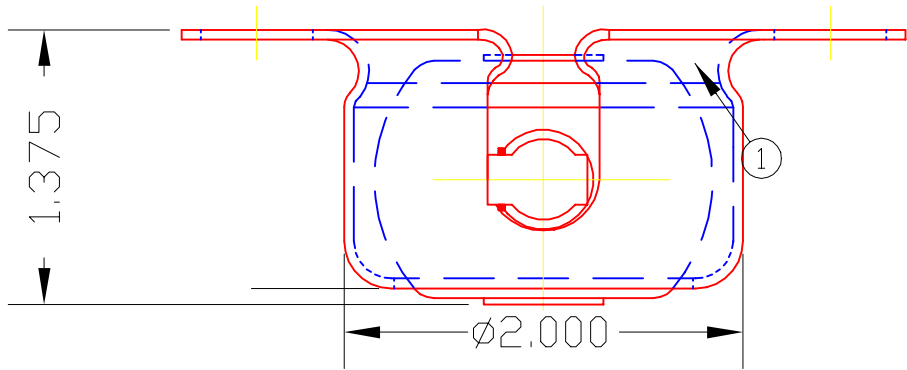


NVH8A



NOTE - NOTCH ON ONE SIDE LONGER THAN OTHER TO ALLOW FOR OIL CUP

2 SLOTS
0.281 WIDE X 0.563 LONG

Ø 0.5005
0.5015
BORE

| | | | |
|---|------|------------|---|
| 3 | H8A | BALL ASS'Y | 1 |
| 2 | 1052 | CUSHION | 1 |
| 1 | 1678 | BRACKET | 1 |

| DET | PART NUMBER | DESCRIPTION | AMT |
|-----|-------------|-------------|-----|
|-----|-------------|-------------|-----|

▲ TRIANGLE MANUFACTURING CO.
OSHKOSH, WI.

NAME FLANGE PILLOW BLOCK

USED IN // // //

| | | |
|------|---------|----------|
| DATE | 5-16-61 | PART NO. |
|------|---------|----------|

| | |
|-------|-------|
| DRAWN | BW-88 |
|-------|-------|

| | |
|---------|------|
| CHECKED | //// |
|---------|------|

| | |
|-------|-------|
| SCALE | 1 / 1 |
|-------|-------|

NVH8A

| |
|--------------|
| CHANGE LEVEL |
| A 1-10-73 |

| | |
|--------------------------------|-----------------|
| LUB. | OIL-T.M.C. #L-1 |
| PLATING | GALV |
| MATERIAL | SEE DETAILS |
| ALL DIMS ±.02 UNLESS SPECIFIED | |