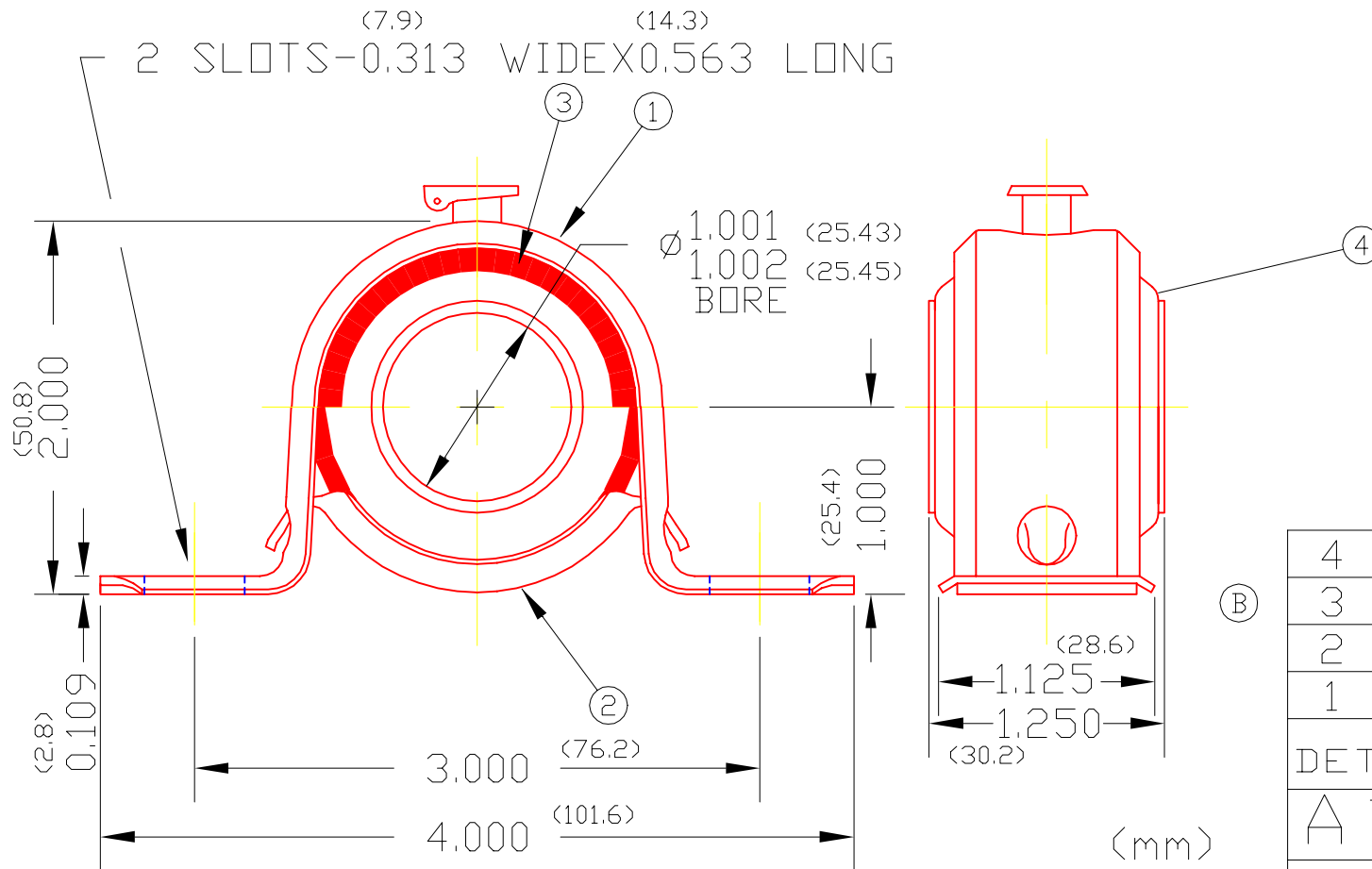


NAH16A



SLOTS IN BASE & CONTAINER MAY HAVE SLIGHT MISALIGNMENT IN THE LONG DIRECTION. (C)

4	H16A	BALL ASS'Y	1
3	4706	CUSHION	1
2	1043	BASE	1
1	1042	CONTAINER	1
DET	PART NUMBER	DESCRIPTION	AMT

A TRIANGLE MANUFACTURING CO.
OSHKOSH, WI.

NAME PILLOW BLOCK BEARING

USED IN // // //

DATE 12-24-59 PART NO.

DRAWN BW-88

CHECKED SP

SCALE 1 / 1

NAH16A

CHANGE LEVEL
C 07-31-02

(A)

LUB.	OIL T.M.C. #L-1
PLATING	GALV
MATERIAL	SEE DETAILS
ALL DIMS ±.02 UNLESS SPECIFIED	