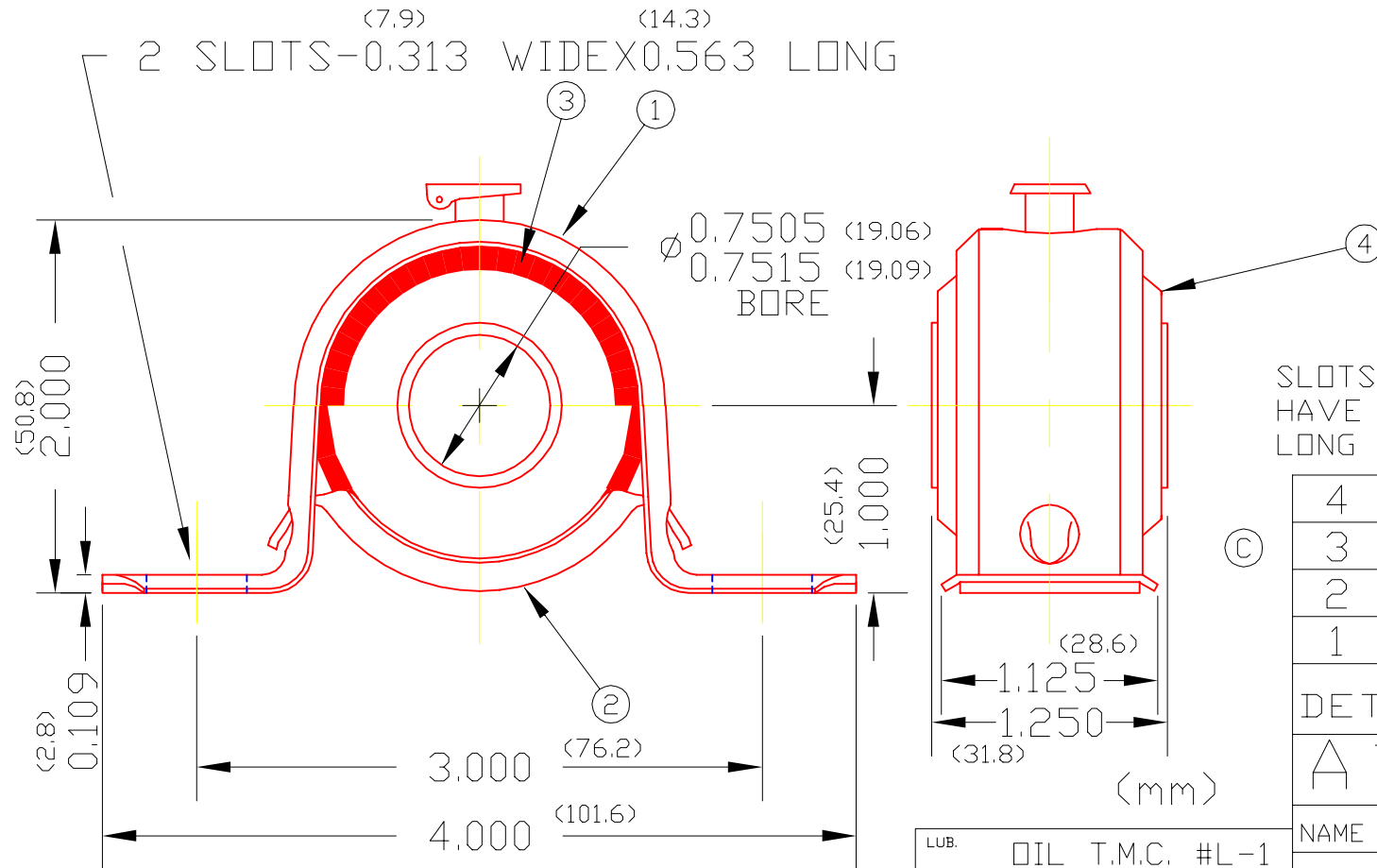


NAH12A



SLOTS IN BASE & CONTAINER MAY HAVE SLIGHT MISALIGNMENT IN THE LONG DIRECTION. (D)

4	H12A	BALL ASS'Y	1
3	4706	CUSHION	1
2	1043	BASE	1
1	1042	CONTAINER	1

DET	PART NUMBER	DESCRIPTION	AMT
-----	-------------	-------------	-----

△ TRIANGLE MANUFACTURING CO.
OSHKOSH, WI.

NAME PILLOW BLOCK BEARING

USED IN // // //

DATE	12-28-59	PART NO.	NAH12A
DRAWN	BW-88		
CHECKED	SP		
SCALE	1 / 1		

LUB.	OIL T.M.C. #L-1
PLATING	GALV
MATERIAL	SEE DETAILS
ALL DIMS ±.02 UNLESS SPECIFIED	

CHANGE LEVEL
D 07-31-02