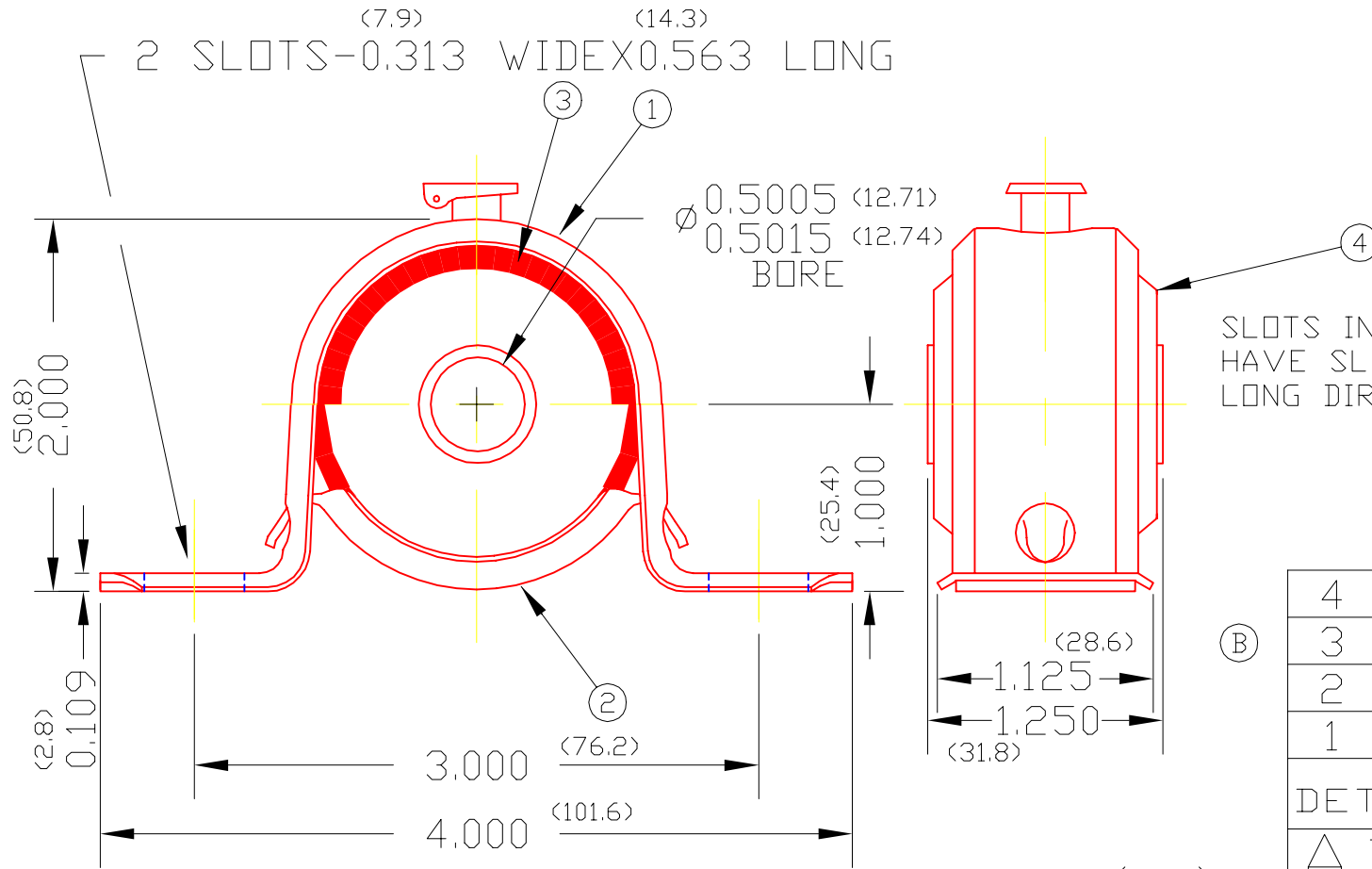


NAH8A



SLOTS IN BASE & CONTAINER MAY HAVE SLIGHT MISALIGNMENT IN THE LONG DIRECTION. (C)

4	H8A	BALL ASS'Y	1
3	4706	CUSHION	1
2	1043	BASE	1
1	1042	CONTAINER	1
DET	PART NUMBER	DESCRIPTION	AMT

△ TRIANGLE MANUFACTURING CO.
OSHKOSH, WI.

NAME PILLOW BLOCK BEARING

USED IN // // //

DATE 3-9-60 PART NO.

DRAWN BW-88

CHECKED SP

SCALE 1 / 1

NAH8A

(mm)

(A)

LUB.	OIL T.M.C. #L-1
PLATING	GALV
MATERIAL	SEE DETAILS
ALL DIMS ±.02 UNLESS SPECIFIED	

CHANGE LEVEL
C 07-31-02