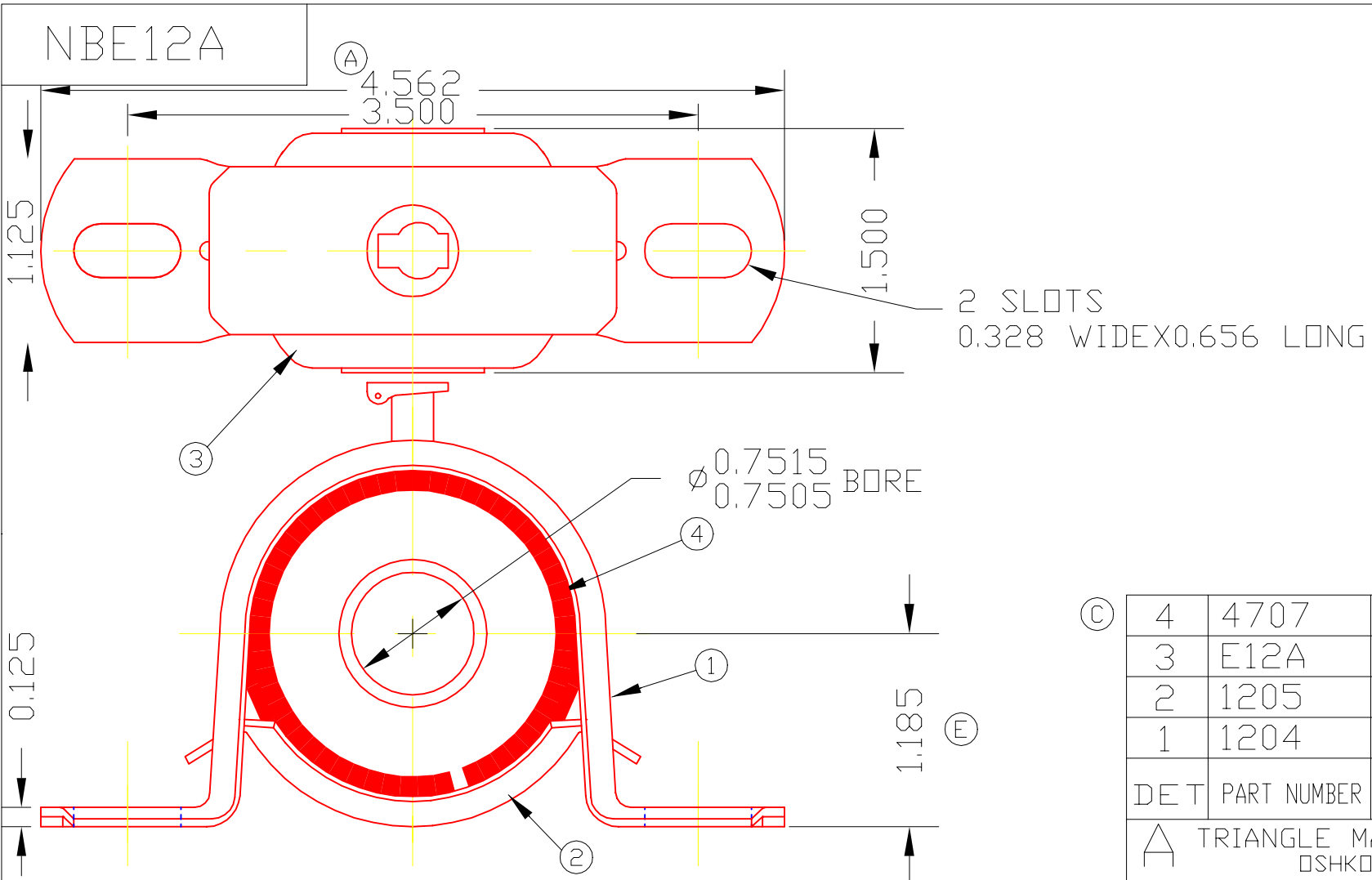


NBE12A



2 SLOTS
0.328 WIDEX0.656 LONG

Ø 0.7515
0.7505 BORE

④	4707	CUSHION	1
③	E12A	BALL ASS'Y	1
②	1205	BRACKET	1
①	1204	CONTAINER	1

DET PART NUMBER DESCRIPTION AMT

△ TRIANGLE MANUFACTURING CO.
OSHKOSH, WI.

NAME PILLOW BLOCK BEARING

USED IN // // //

DATE 8-2-62 PART NO.

DRAWN LML

CHECKED // // //

SCALE 1 / 1

NBE12A

SLOTS IN BASE & CONTAINER MAY
HAVE SLIGHT MISALIGNMENT IN THE
LONG DIRECTION. ④

LUB.	OIL T.M.C. #L-1
PLATING	GALV
MATERIAL	SEE DETAILS
ALL DIMS ±.02 UNLESS SPECIFIED	

CHANGE LEVEL
E 10-23-08