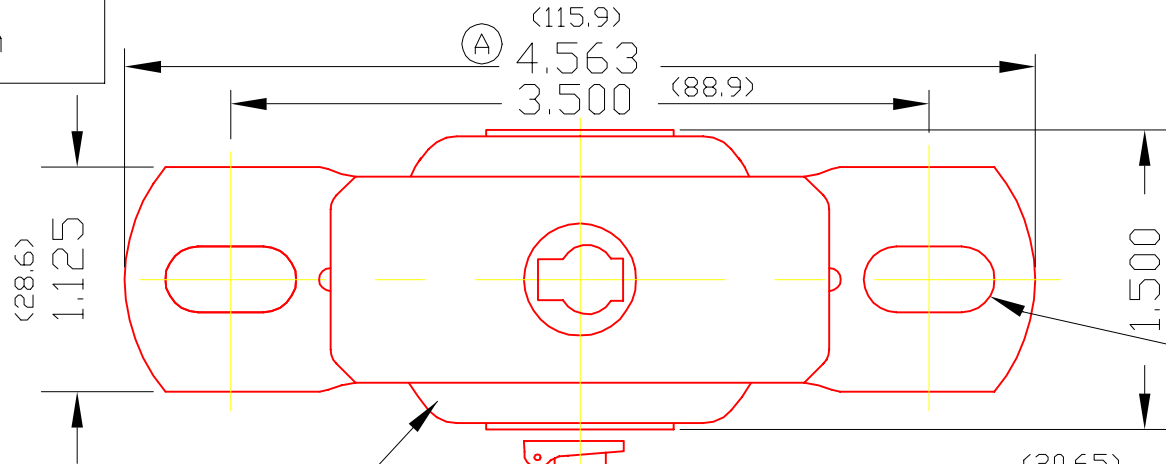
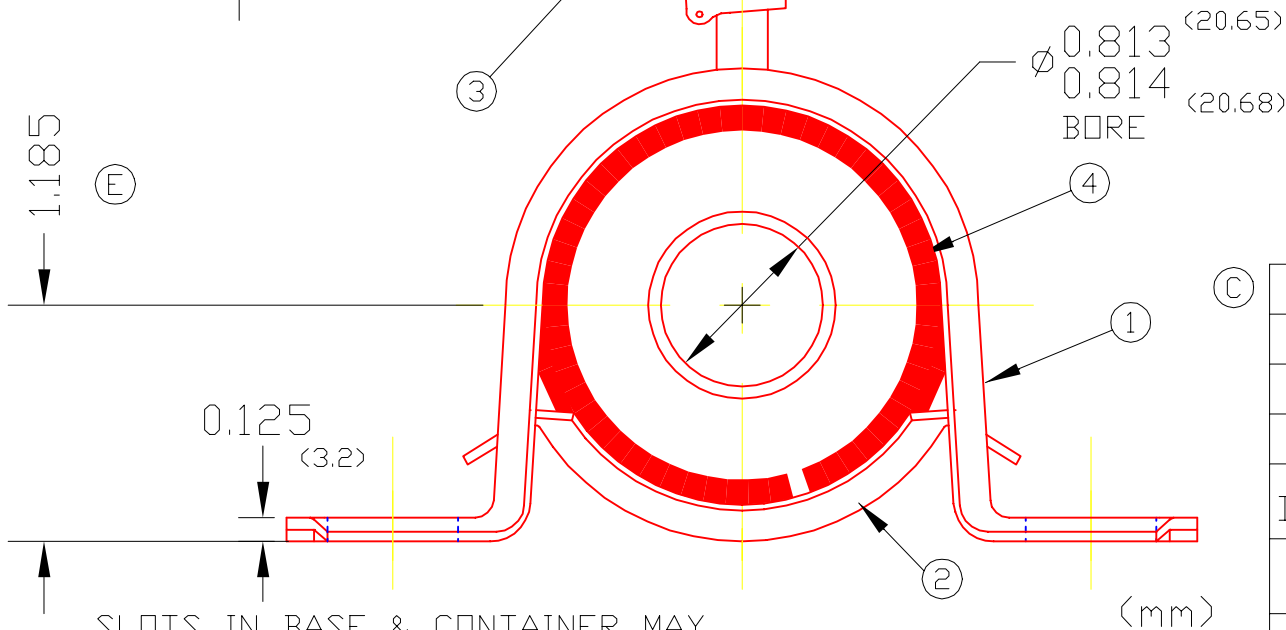


NBE13A



2 SLOTS
0.328 WIDEX0.656 LONG
(8.3) (16.7)



SLOTS IN BASE & CONTAINER MAY HAVE SLIGHT MISALIGNMENT IN THE LONG DIRECTION. (D)

DET	PART NUMBER	DESCRIPTION	AMT
4	4707	CUSHION	1
3	E13A	BALL ASS'Y	1
2	1205	BRACKET	1
1	1204	CONTAINER	1

A TRIANGLE MANUFACTURING CO.
OSHKOSH, WI.

NAME PILLOW BLOCK BEARING

USED IN // // //

DATE 8-2-62

PART NO.

DRAWN BW-88

CHECKED SP

SCALE 1 / 1

NBE13A

(B)

LUB.	OIL T.M.C. #L-1
PLATING	GALV
MATERIAL	SEE DETAILS
ALL DIMS ±.02 UNLESS SPECIFIED	

CHANGE LEVEL
E 10-23-08