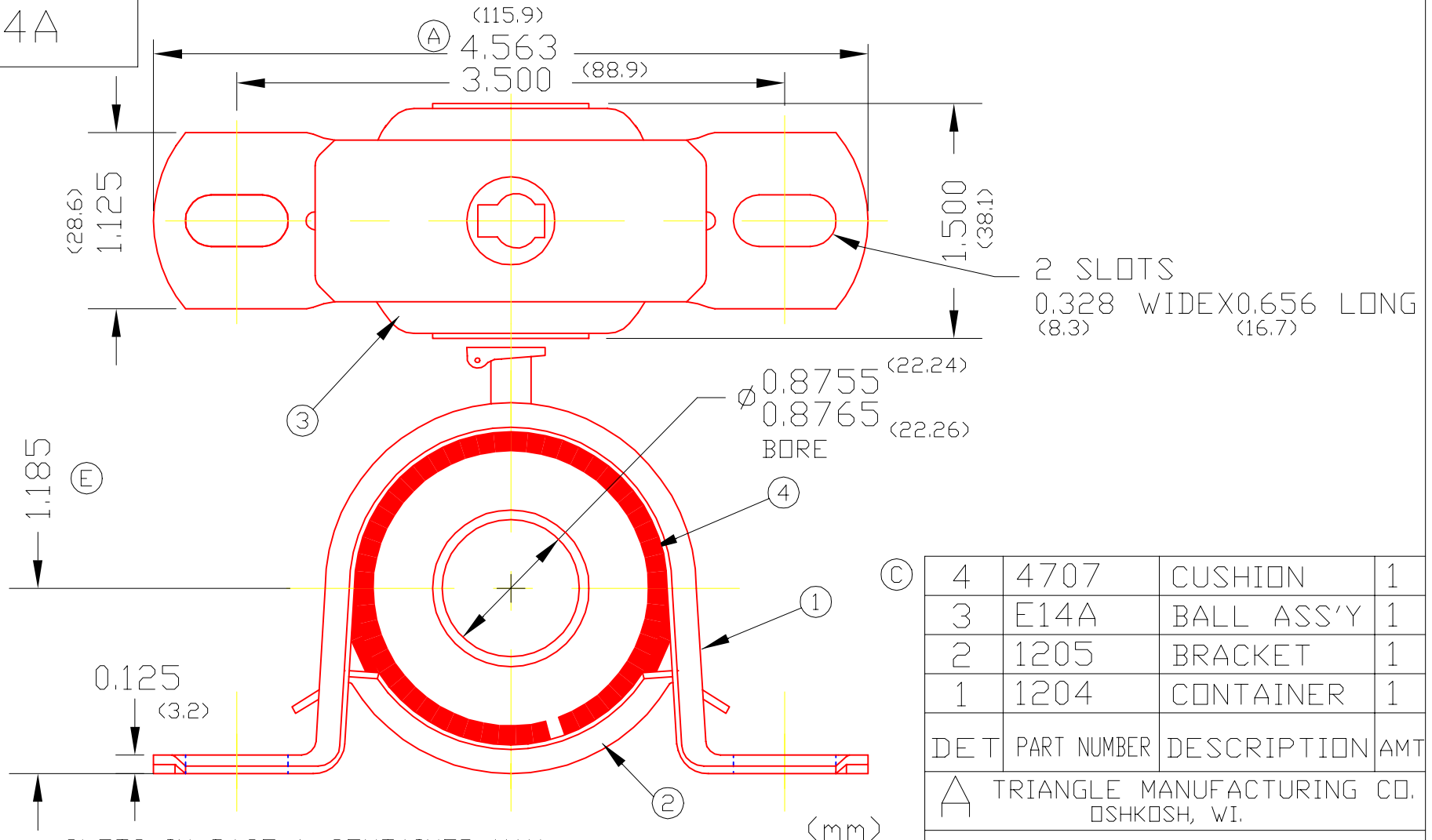


NBE14A



2 SLOTS
0.328 WIDEX0.656 LONG
(8.3) (16.7)

Ø 0.8755 (22.24)
0.8765 (22.26)
BORE

(C)	4	4707	CUSHION	1
	3	E14A	BALL ASS'Y	1
	2	1205	BRACKET	1
	1	1204	CONTAINER	1

DET	PART NUMBER	DESCRIPTION	AMT
-----	-------------	-------------	-----

A TRIANGLE MANUFACTURING CO.
OSHKOSH, WI.

NAME PILLOW BLOCK BEARING

USED IN	////
DATE	8-2-62
DRAWN	BW-88
CHECKED	SP
SCALE	1 / 1

SLOTS IN BASE & CONTAINER MAY HAVE SLIGHT MISALIGNMENT IN THE LONG DIRECTION. (D)

(B)	LUB.	OIL T.M.C. #L-1
	PLATING	GALV
	MATERIAL	SEE DETAILS
	ALL DIMS ±.02 UNLESS SPECIFIED	

CHANGE LEVEL
E 10-23-08

NBE14A