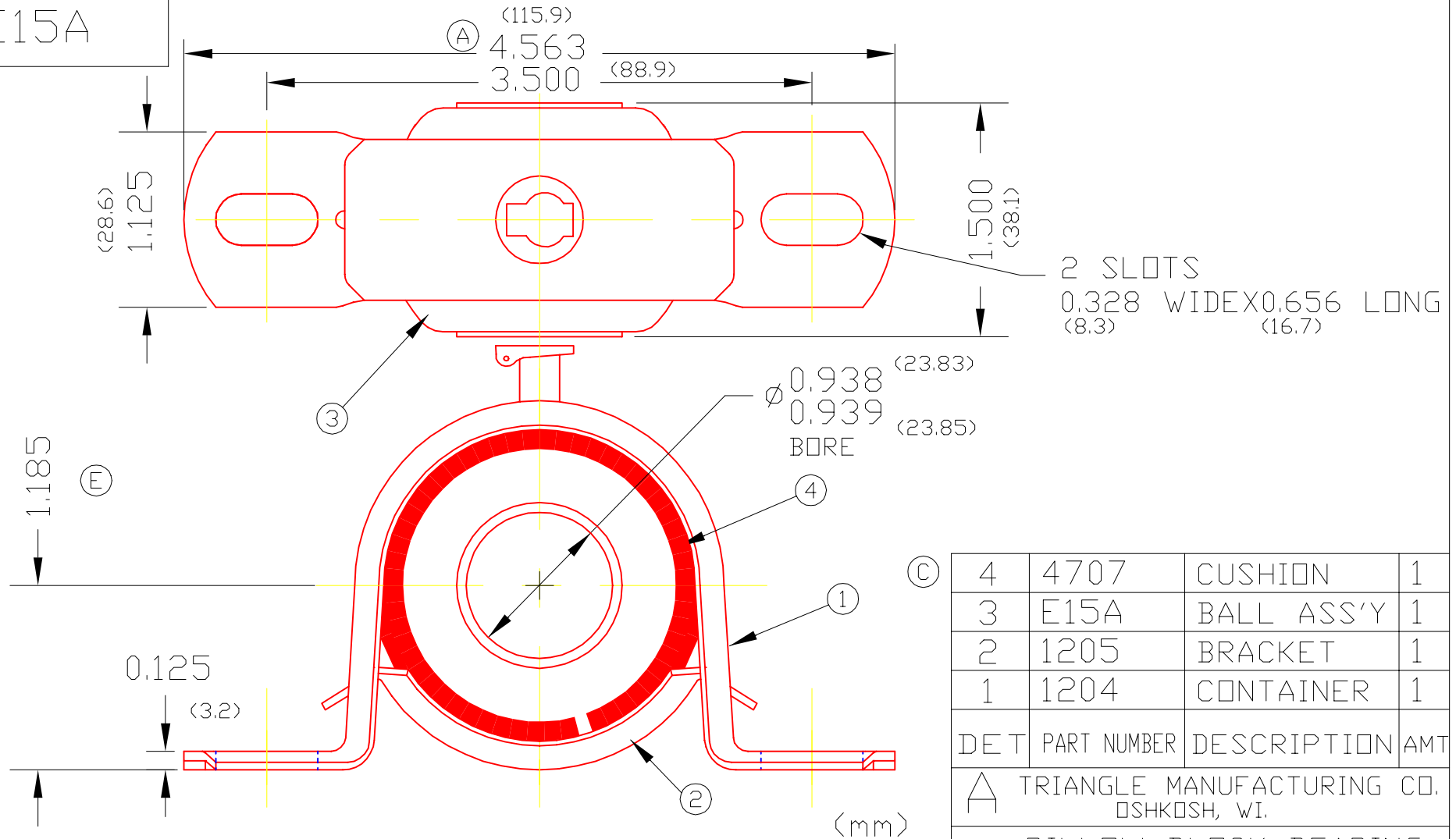


NBE15A



SLOTS IN BASE & CONTAINER MAY HAVE SLIGHT MISALIGNMENT IN THE LONG DIRECTION. (D)

| DET | PART NUMBER | DESCRIPTION | AMT |
|-----|-------------|-------------|-----|
| 4 | 4707 | CUSHION | 1 |
| 3 | E15A | BALL ASS'Y | 1 |
| 2 | 1205 | BRACKET | 1 |
| 1 | 1204 | CONTAINER | 1 |

A TRIANGLE MANUFACTURING CO.
OSHKOSH, WI.

NAME PILLOW BLOCK BEARING

USED IN // // //

DATE 8-2-62

PART NO.

DRAWN BW-88

CHECKED SP

SCALE 1 / 1

NBE15A

| CHANGE LEVEL |
|--------------|
| E 10-23-08 |

(B)

| | |
|--------------------------------|-----------------|
| LUB. | OIL T.M.C. #L-1 |
| PLATING | GALV |
| MATERIAL | SEE DETAILS |
| ALL DIMS ±.02 UNLESS SPECIFIED | |