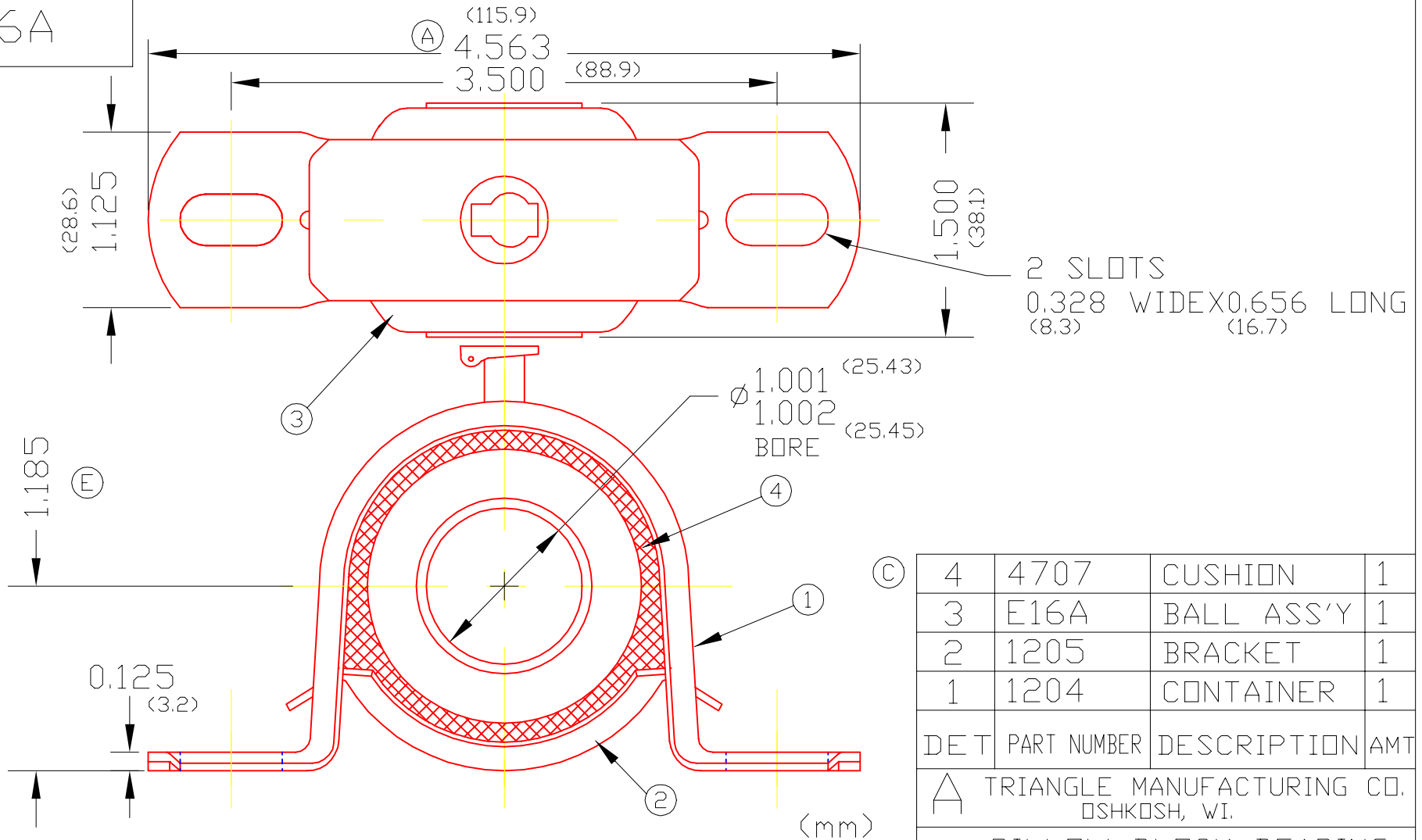


NBE16A



2 SLOTS  
0.328 WIDE X 0.656 LONG  
(8.3) (16.7)

Ø 1.001 (25.43)  
1.002 (25.45)  
BORE

4	4707	CUSHION	1
3	E16A	BALL ASS'Y	1
2	1205	BRACKET	1
1	1204	CONTAINER	1

DET PART NUMBER DESCRIPTION AMT

A TRIANGLE MANUFACTURING CO.  
OSHKOSH, WI.

NAME PILLOW BLOCK BEARING

USED IN // // //  
DATE 8-3-62 PART NO.

DRAWN BW-88  
CHECKED SP  
SCALE 1 / 1  
NBE16A

SLOTS IN BASE & CONTAINER MAY HAVE SLIGHT MISALIGNMENT IN THE LONG DIRECTION. (D)

(B)	LUB.	OIL T.M.C. #L-1
	PLATING	GALV
	MATERIAL	SEE DETAILS
	ALL DIMS ±.02 UNLESS SPECIFIED	

CHANGE LEVEL
E 10-23-08