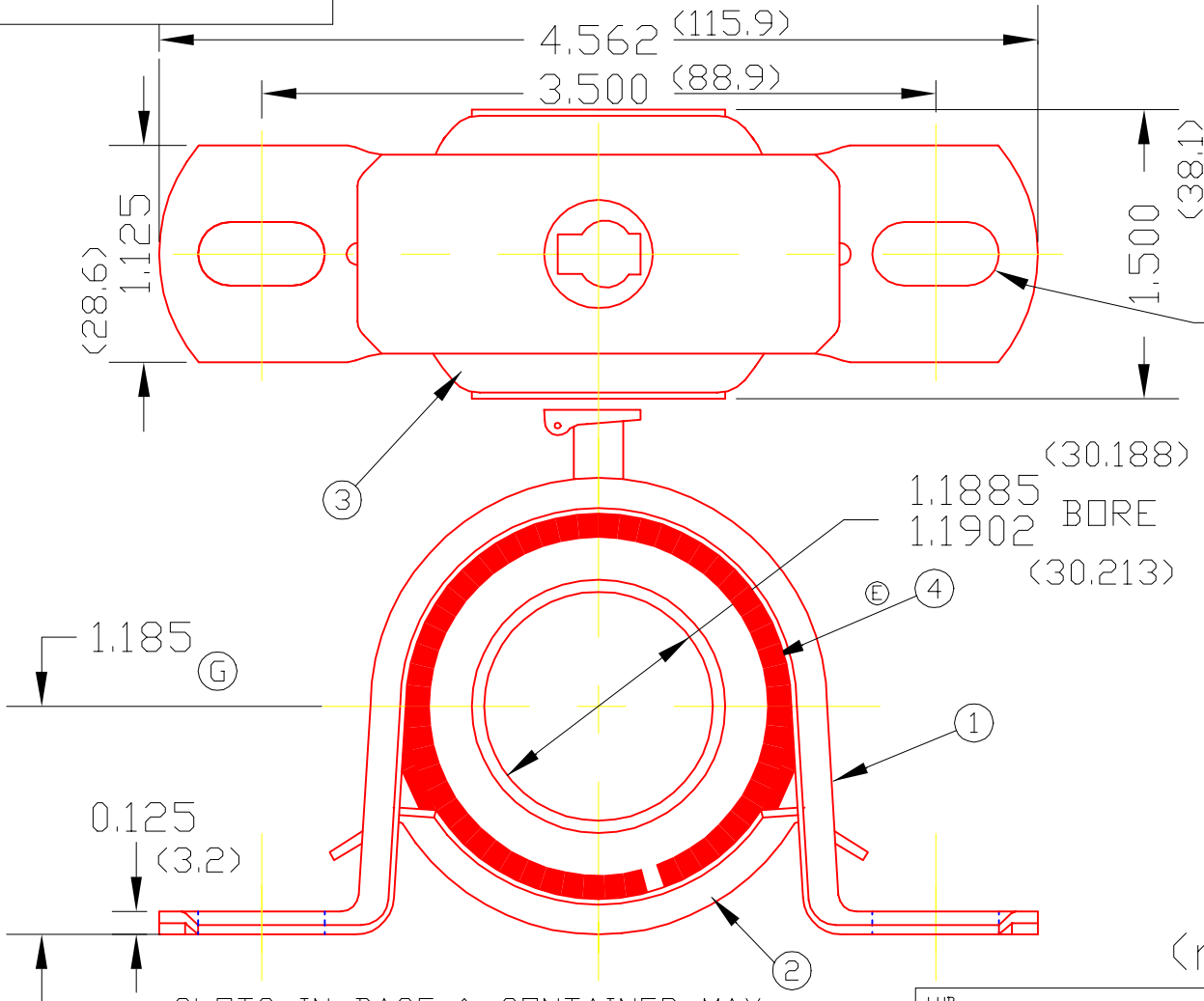


NBE19A



2 SLOTS
0.328 WIDEX0.656 LONG
(8.3) (16.7)

1.1885 (30.188)
1.1902 BORE (30.213)

1.185 (G)

0.125 (3.2)

SLOTS IN BASE & CONTAINER MAY HAVE SLIGHT MISALIGNMENT IN THE LONG DIRECTION. (F)

(mm)

(D)	4	4707	CUSHION	1
	3	E19A	BALL ASS'Y	1
	2	1205	BRACKET	1
	1	1204	CONTAINER	1

DET	PART NUMBER	DESCRIPTION	AMT
-----	-------------	-------------	-----

A TRIANGLE MANUFACTURING CO.
OSHKOSH, WI.

NAME PILLOW BLOCK BEARING

USED IN // // //

DATE 8-2-62

PART NO.

DRAWN SP

CHECKED SP

SCALE 1 / 1

NBE19A

CHANGE LEVEL
G 10-23-08

LUB.	OIL T.M.C. #L-1
PLATING	GALV
MATERIAL	SEE DETAILS
ALL DIMS ±.02 UNLESS SPECIFIED	