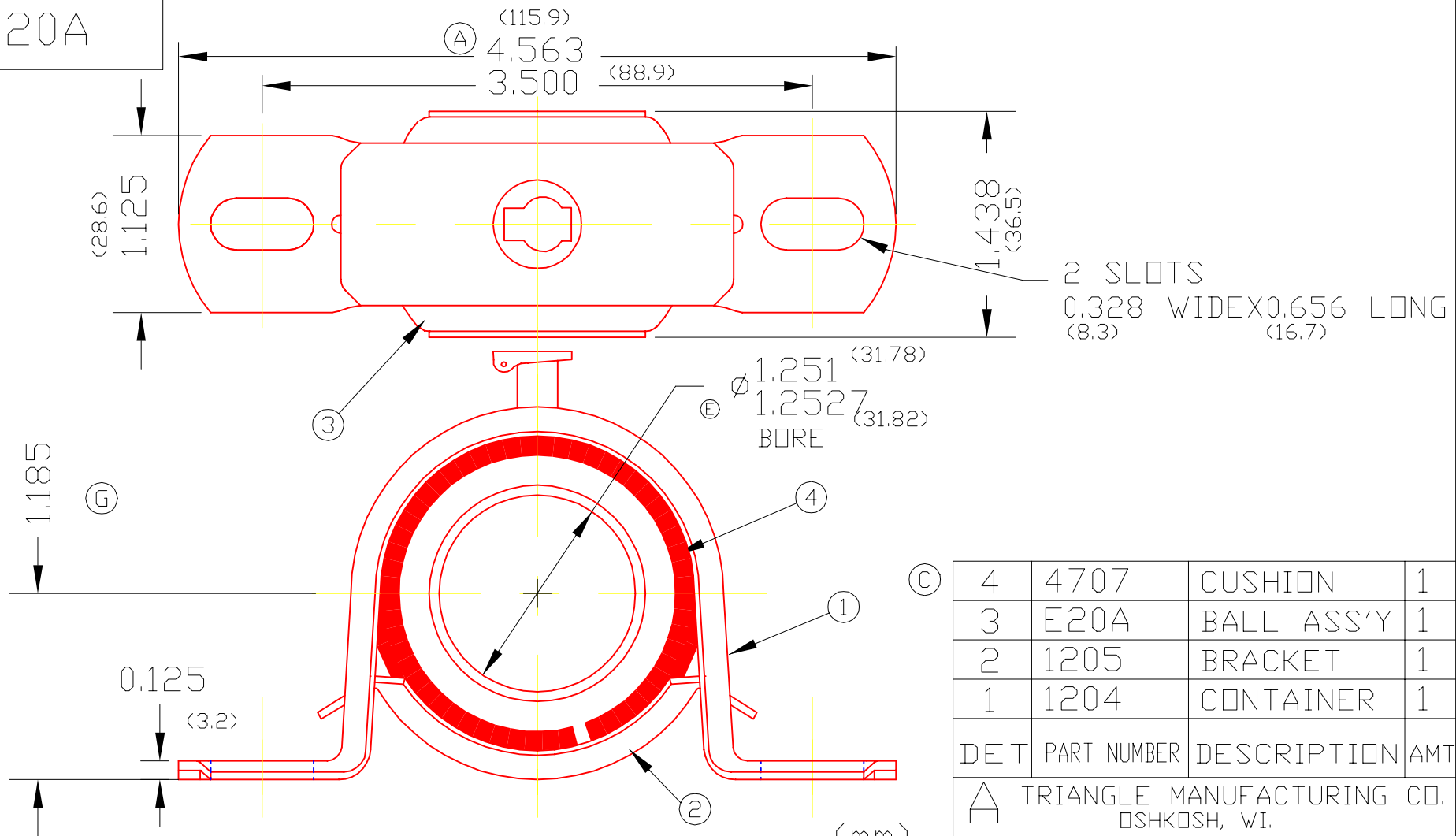


NBE20A



2 SLOTS
0.328 WIDE X 0.656 LONG
(8.3) (16.7)

Ø 1.251 (31.78)
1.2527 (31.82)
BORE

SLOTS IN BASE & CONTAINER MAY HAVE SLIGHT MISALIGNMENT IN THE LONG DIRECTION. (F)

| DET | PART NUMBER | DESCRIPTION | AMT |
|-----|-------------|-------------|-----|
| 4 | 4707 | CUSHION | 1 |
| 3 | E20A | BALL ASS'Y | 1 |
| 2 | 1205 | BRACKET | 1 |
| 1 | 1204 | CONTAINER | 1 |

A TRIANGLE MANUFACTURING CO.
OSHKOSH, WI.

NAME PILLOW BLOCK BEARING

| | |
|---------|--------|
| USED IN | //// |
| DATE | 8-3-62 |
| DRAWN | BW-88 |
| CHECKED | SP |
| SCALE | 1 / 1 |

| | |
|--------------------------------|-----------------|
| LUB. | OIL T.M.C. #L-1 |
| PLATING | GALV |
| MATERIAL | SEE DETAILS |
| ALL DIMS ±.02 UNLESS SPECIFIED | |

NBE20A

| | |
|--------------|----------|
| CHANGE LEVEL | |
| G | 10-23-08 |