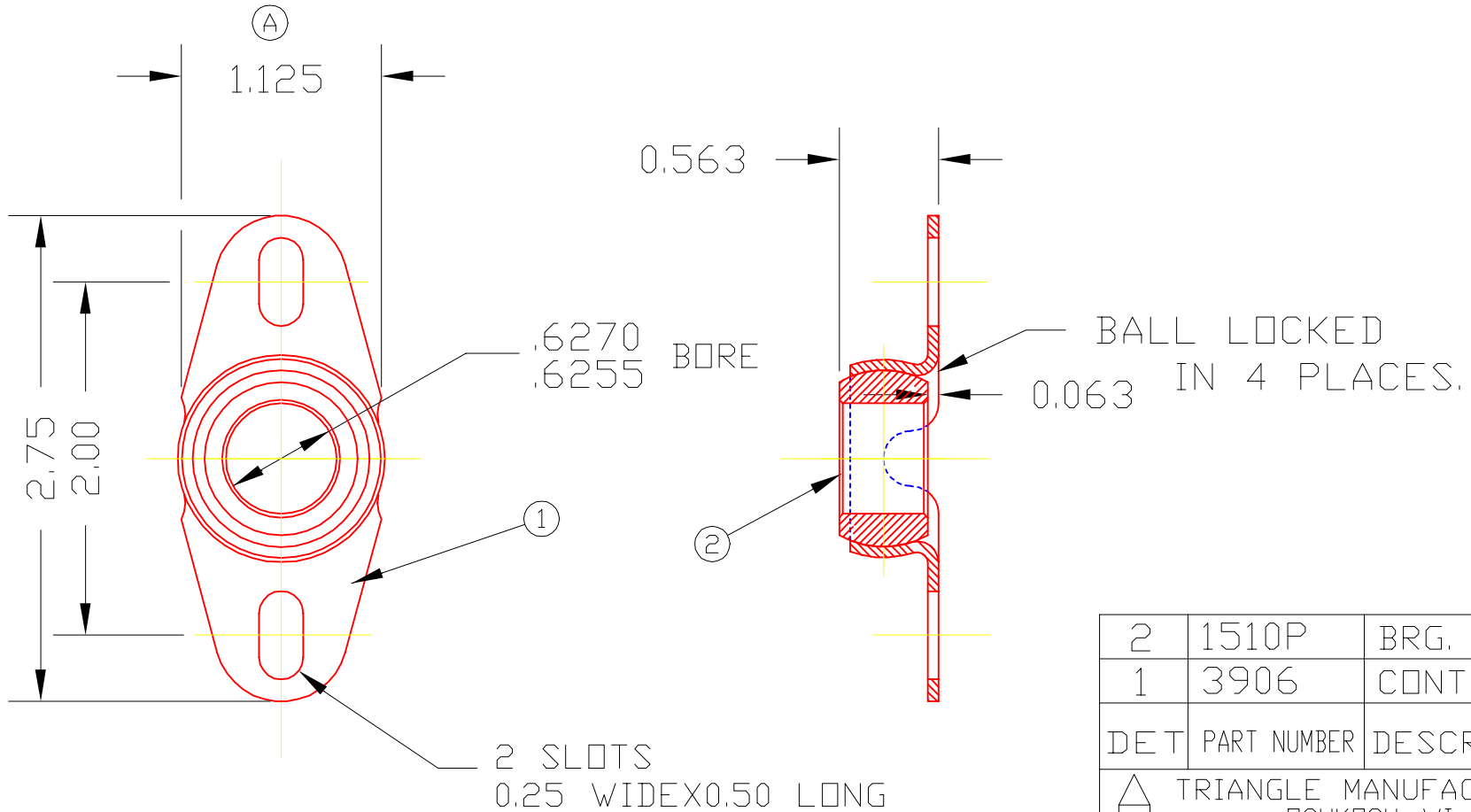


FK1510P



2	1510P	BRG. BALL	1
1	3906	CONTAINER	1
DET	PART NUMBER	DESCRIPTION	AMT

△ TRIANGLE MANUFACTURING CO.  
OSHKOSH, WI.

NAME CONTAINER-SIDE FLANGE

USED IN FK-SERIES

DATE 5-1-68

PART NO.

DRAWN SP

CHECKED SP

SCALE 1 / 1

FK1510P

CHANGE LEVEL

A 4-6-73

LUB.	OIL
PLATING	GALV
MATERIAL	SEE DETAILS
ALL DIMS. ±.020 UNLESS OTHERWISE SPECIFIED	