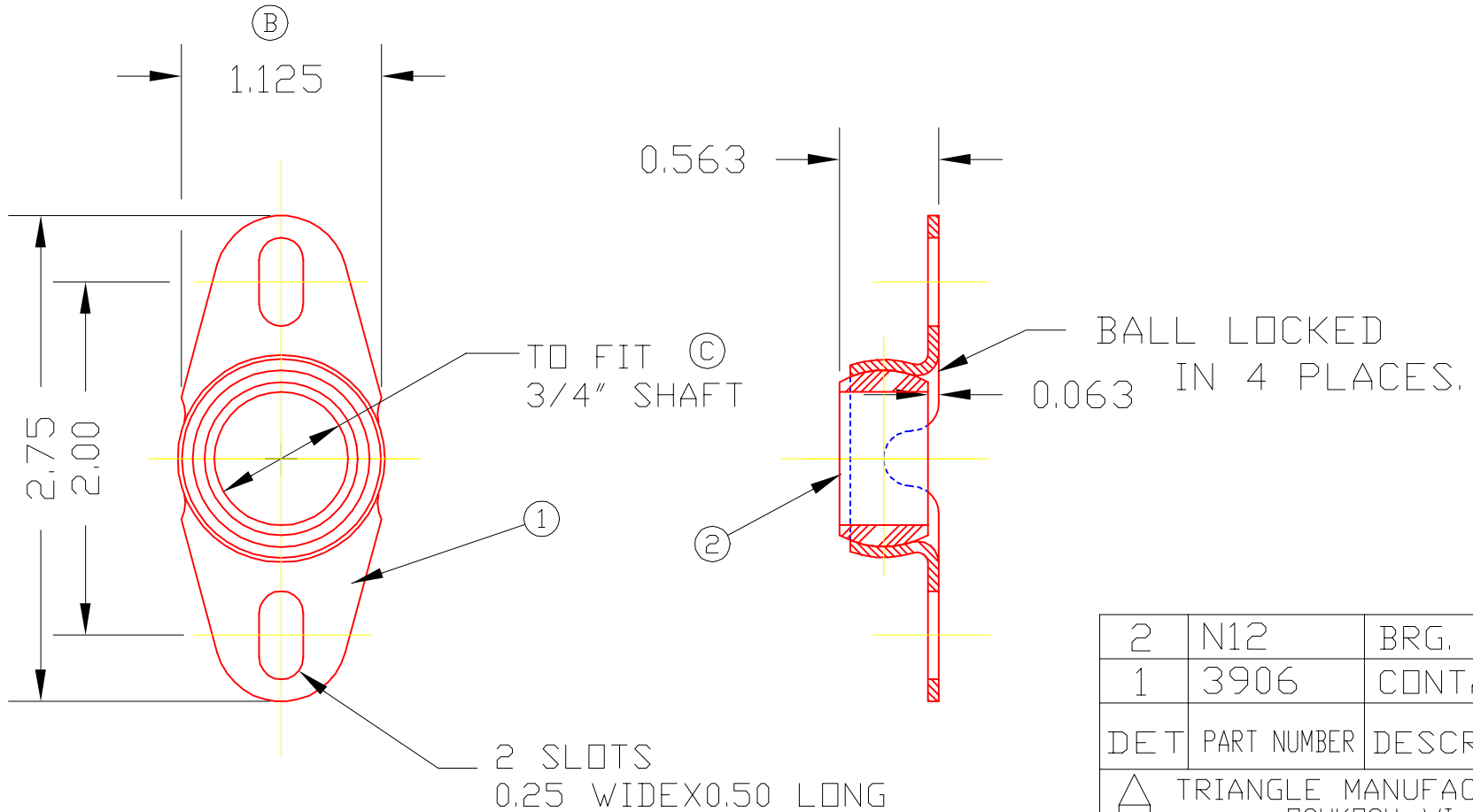


FKN12



2	N12	BRG. BALL	1
1	3906	CONTAINER	1
DET	PART NUMBER	DESCRIPTION	AMT

A TRIANGLE MANUFACTURING CO.  
OSHKOSH, WI.

NAME CONTAINER-SIDE FLANGE

USED IN FK-SERIES

DATE 3-15-68

PART NO.

DRAWN SP

CHECKED SP

SCALE 1 / 1

FKN12

LUB.	NONE
PLATING	GALV
MATERIAL	SEE DETAILS
ALL DIMS. ±.020 UNLESS OTHERWISE SPECIFIED	

CHANGE LEVEL
C 04-22-02