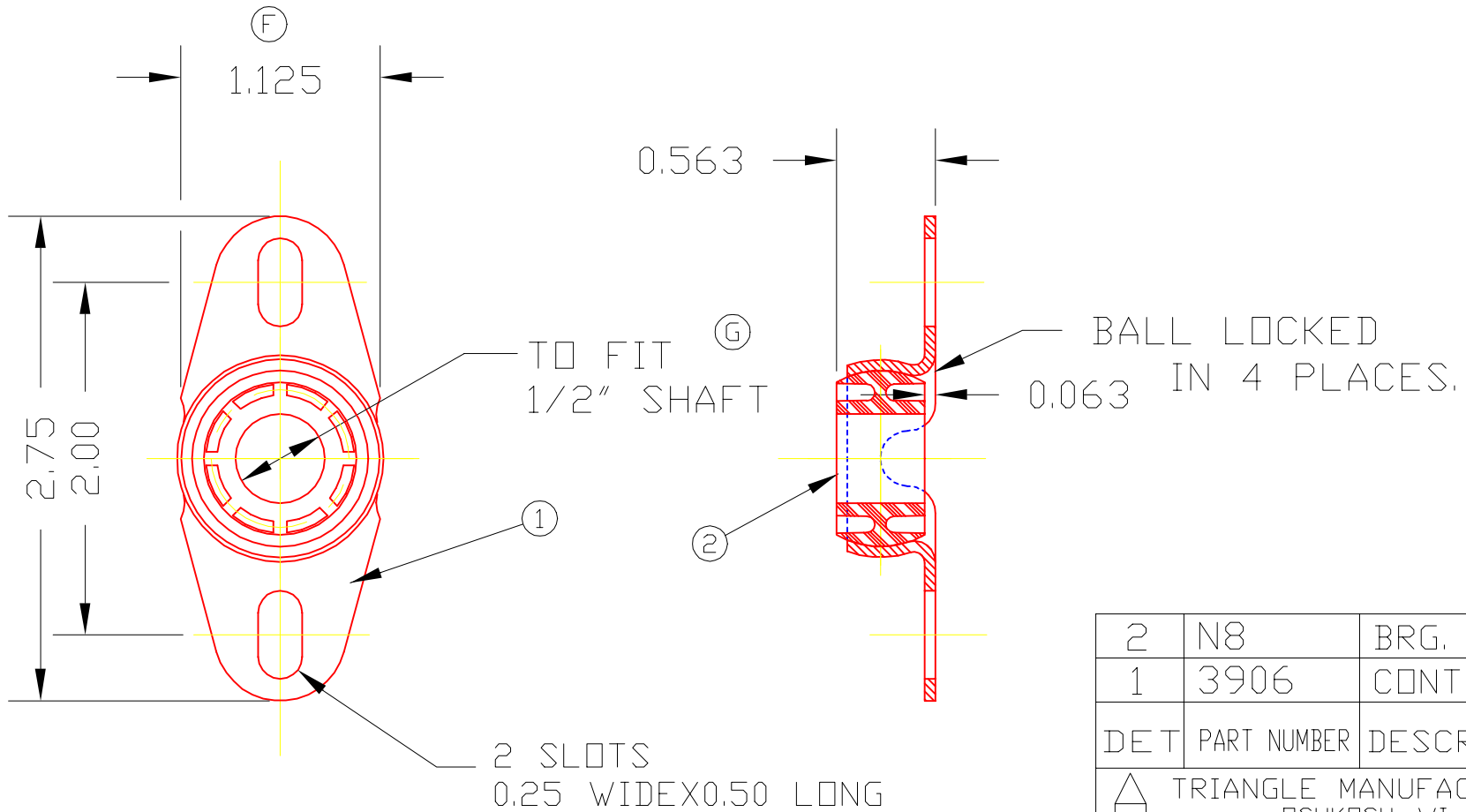


FKN8



2	N8	BRG. BALL	1
1	3906	CONTAINER	1
DET	PART NUMBER	DESCRIPTION	AMT

△ TRIANGLE MANUFACTURING CO.
OSHKOSH, WI.

NAME CONTAINER-SIDE FLANGE

USED IN FK-SERIES

DATE 3-15-68 PART NO.

DRAWN SP

CHECKED SP

SCALE 1 / 1

FKN8

LUB.	NONE
PLATING	GALV
MATERIAL	SEE DETAILS
ALL DIMS. ±.020 UNLESS OTHERWISE SPECIFIED	

CHANGE LEVEL
G 04-22-02