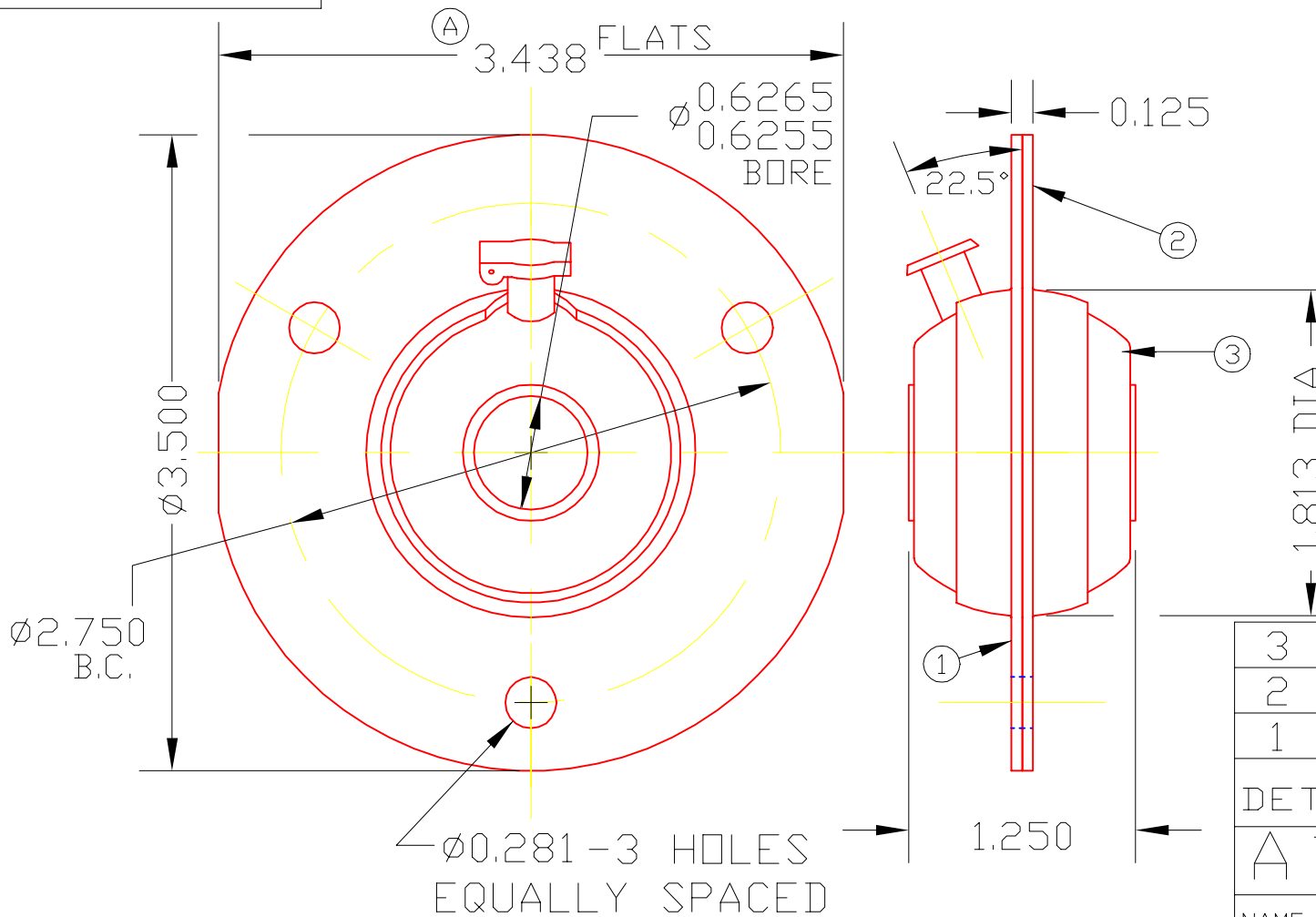


CBH10K

NOTE: SHIPPED AS UNASSEMBLED COMPONENT PARTS



3	H10K	BALL ASS'Y	1
2	1584	FLANGE-PLAIN	1
1	1719	FLANGE-NOTCH	1
DET	PART NUMBER	DESCRIPTION	AMT

A TRIANGLE MANUFACTURING CO.
OSHKOSH, WI.

NAME FLANGE PILLOW BLOCK

USED IN CB SERIES

DATE 5-16-61

PART NO.

DRAWN BW-88

CHECKED SP

SCALE 1 / 1

CBH10K

LUB. OIL T.M.C. #L1

PLATING GALV

MATERIAL SEE DETAILS

ALL DIMS ± 0.02 UNLESS SPECIFIED

B

CHANGE LEVEL	
B	11-27-73