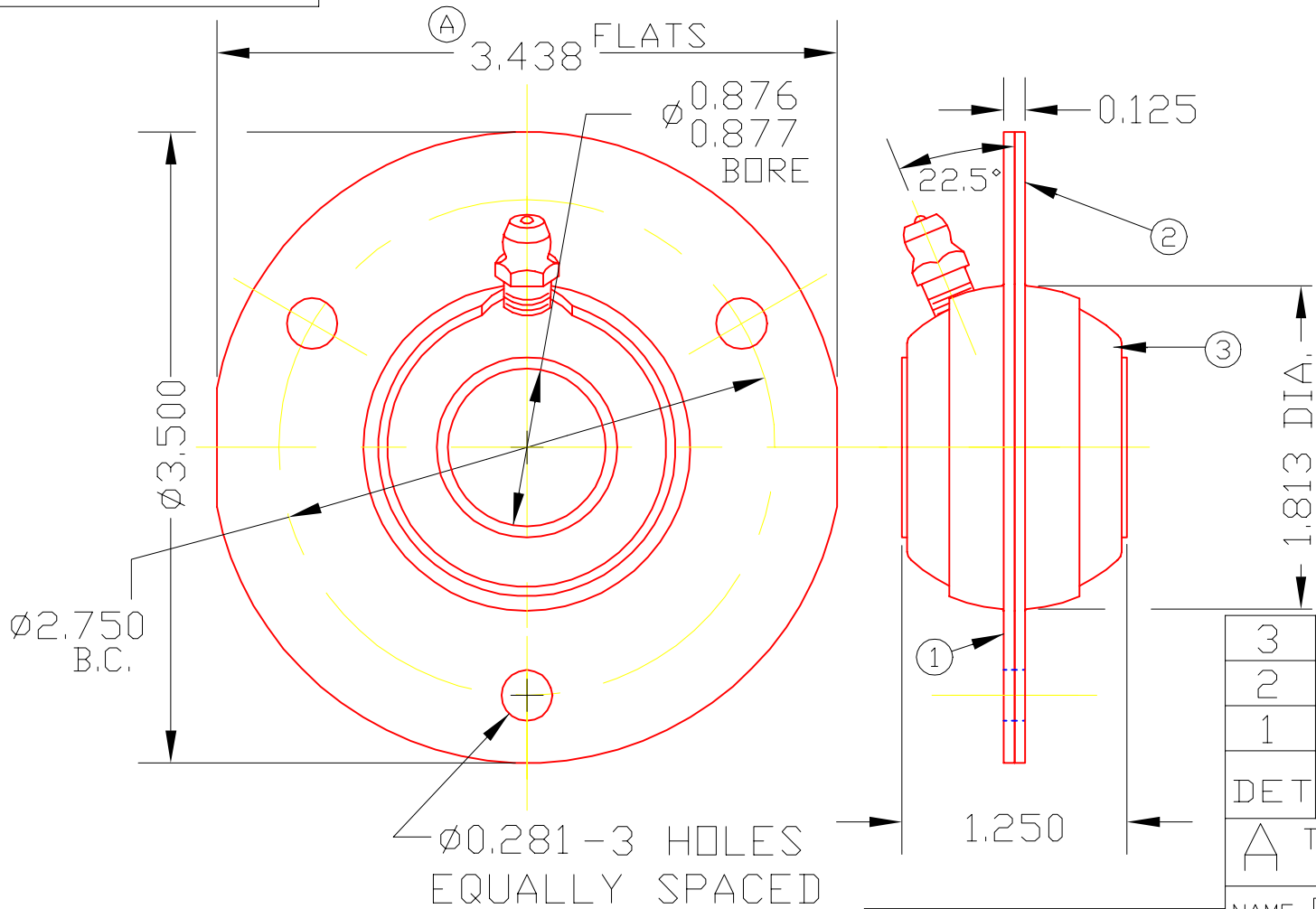


CBH14J

NOTE: SHIPPED AS UNASSEMBLED COMPONENT PARTS



3	H14J	BALL ASS'Y	1
2	1584	FLANGE-PLAIN	1
1	1719	FLANGE-NOTCH	1
DET	PART NUMBER	DESCRIPTION	AMT

A TRIANGLE MANUFACTURING CO.
OSHKOSH, WI.

NAME FLANGE PILLOW BLOCK

USED IN CB SERIES

DATE 5-16-61 PART NO.

DRAWN BW-88

CHECKED SP

SCALE 1 / 1

CBH14J

B

LUB.	NONE
PLATING	GALV
MATERIAL	SEE DETAILS
ALL DIMS ±.02 UNLESS SPECIFIED	

CHANGE LEVEL
B 11-27-73