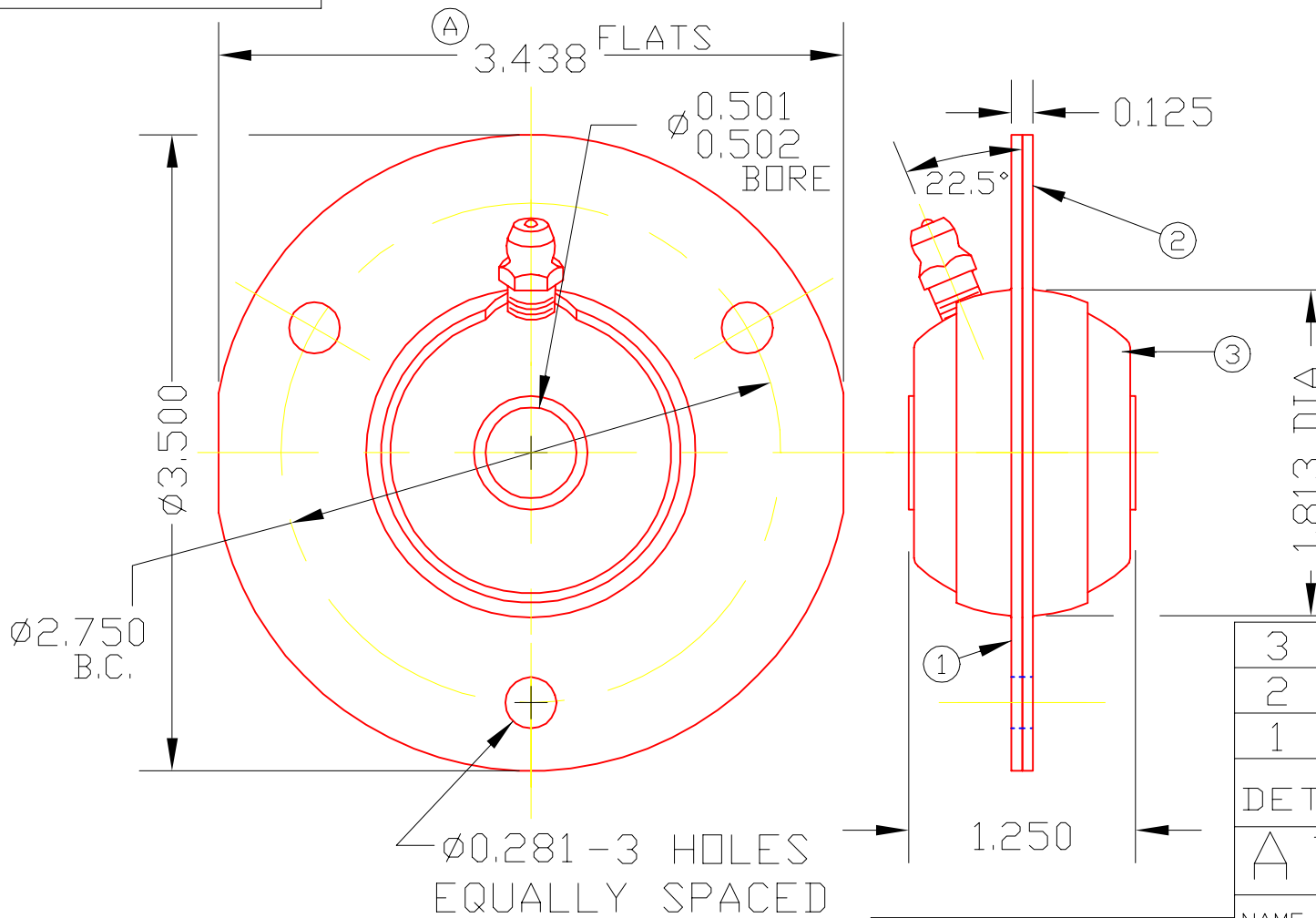


CBH8J

NOTE: SHIPPED AS UNASSEMBLED COMPONENT PARTS



DET	PART NUMBER	DESCRIPTION	AMT
3	H8J	BALL ASS'Y	1
2	1584	FLANGE-PLAIN	1
1	1719	FLANGE-NOTCH	1

A TRIANGLE MANUFACTURING CO.
OSHKOSH, WI.

NAME FLANGE PILLOW BLOCK

USED IN CB SERIES

DATE 5-16-61

PART NO.

DRAWN BW-88

CHECKED SP

SCALE 1 / 1

CBH8J

LUB.	NONE
PLATING	GALV
MATERIAL	SEE DETAILS
ALL DIMS ± 0.02 UNLESS SPECIFIED	

CHANGE LEVEL	
B	11-26-73