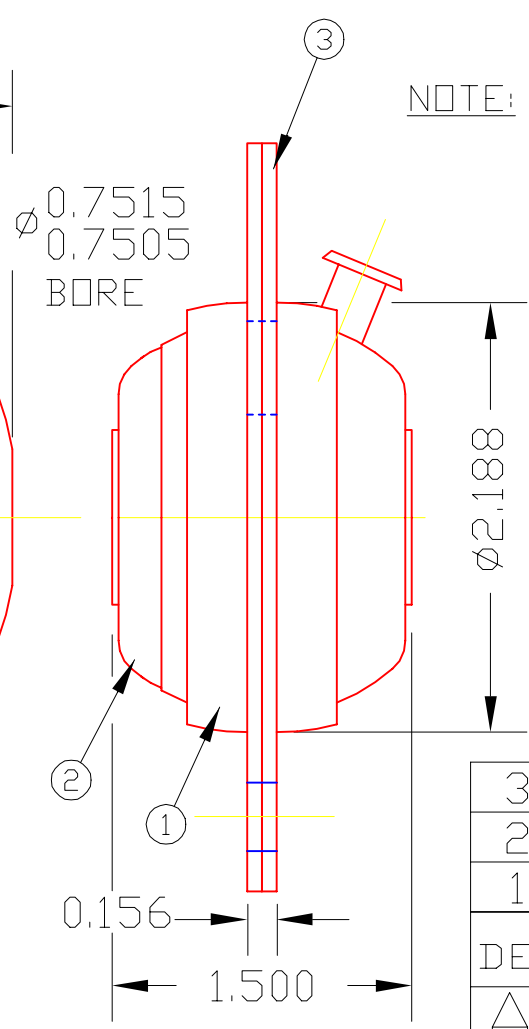
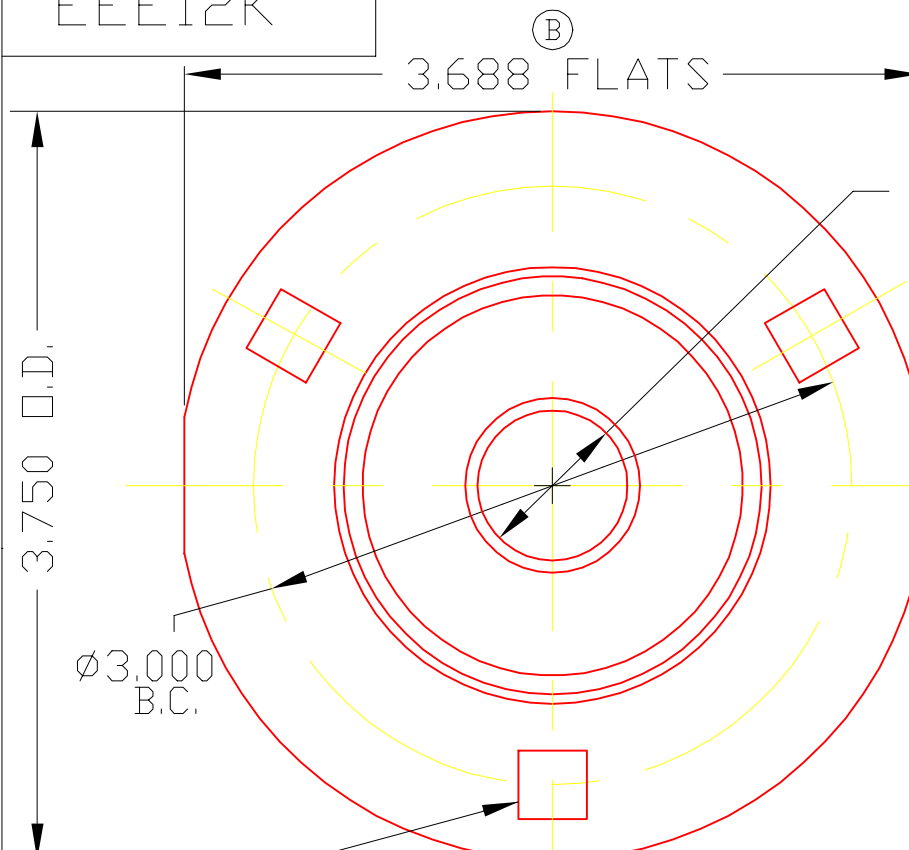


EEE12K



NOTE: SHIPPED AS UNASSEMBLED COMPONENT PARTS

| | | | |
|---|------|--------------|---|
| 3 | 2794 | FLANGE-NOTCH | 1 |
| 2 | E12K | BRG. BALL | 1 |
| 1 | 2793 | FLANGE | 1 |

| DET | PART NUMBER | DESCRIPTION | AMT |
|-----|-------------|-------------|-----|
|-----|-------------|-------------|-----|

A TRIANGLE MANUFACTURING CO.
OSHKOSH, WI.

NAME CENTER FLANGE BRG.

USED IN EE SERIES

DATE 1-17-64 PART NO.

DRAWN BW-88

CHECKED SP

SCALE 1 / 1

EEE12K

©

| | |
|--------------------------------|-----------------|
| LUB | OIL T.M.C. #L-1 |
| PLATING | GALV |
| MATERIAL | SEE DETAILS |
| ALL DIMS ±.02 UNLESS SPECIFIED | |

| |
|--------------|
| CHANGE LEVEL |
| C 12-6-73 |