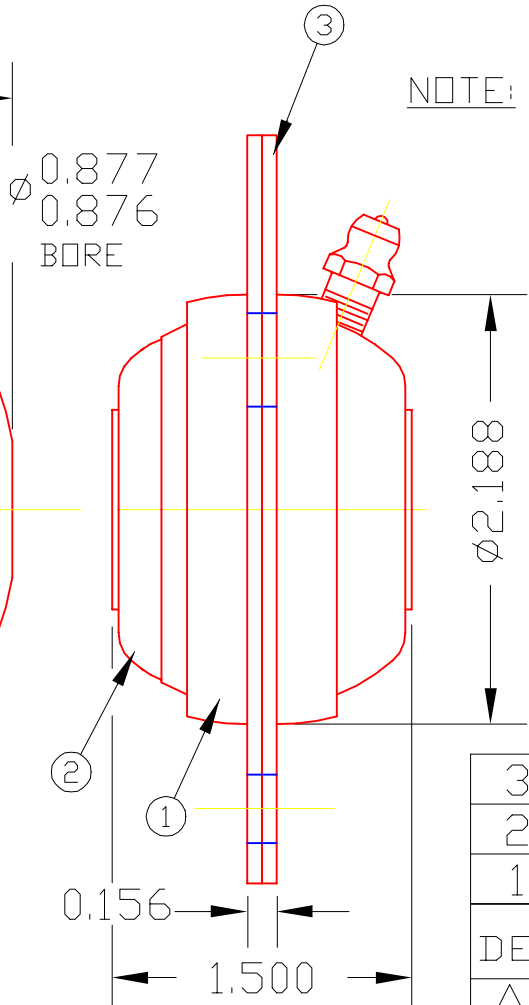
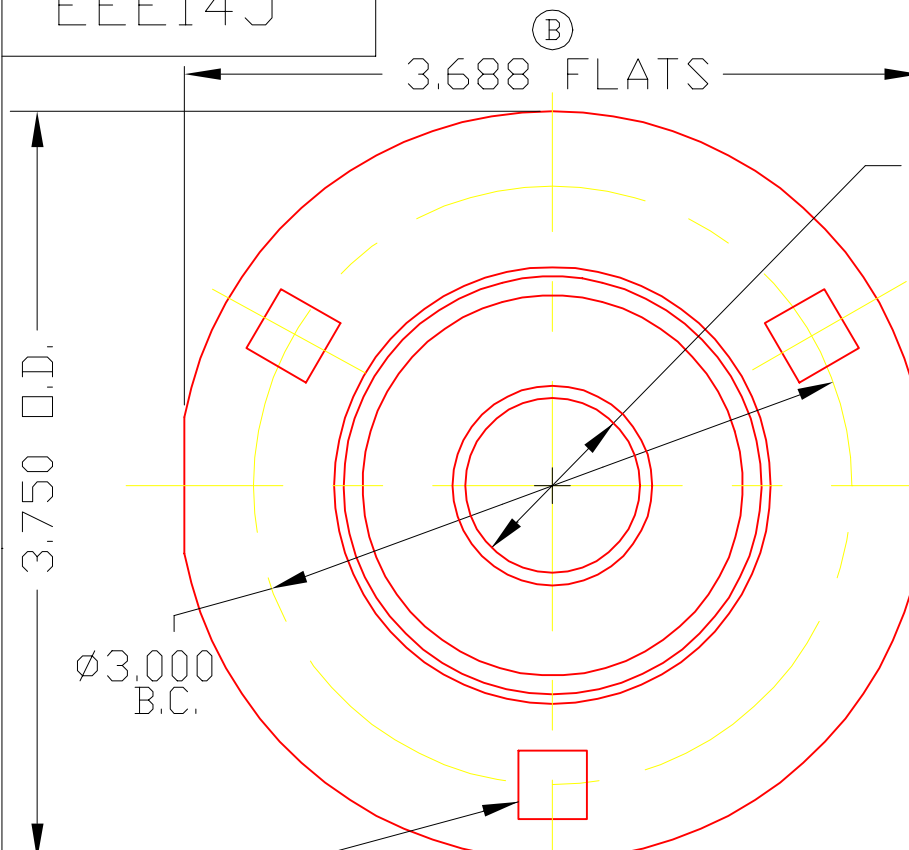


EEE14J



NOTE: SHIPPED AS UNASSEMBLED COMPONENT PARTS

3	2794	FLANGE-NOTCH	1
2	E14J	BRG. BALL	1
1	2793	FLANGE	1

DET	PART NUMBER	DESCRIPTION	AMT
-----	-------------	-------------	-----

A TRIANGLE MANUFACTURING CO.
OSHKOSH, WI.

NAME CENTER FLANGE BRG.

USED IN EE SERIES

DATE	5-28-63	PART NO. EEE14J
DRAWN	BW-88	
CHECKED	SP	
SCALE	1 / 1	

(C)

LUB	NONE
PLATING	GALV
MATERIAL	SEE DETAILS
ALL DIMS ±.02 UNLESS SPECIFIED	

CHANGE LEVEL
C 12-17-73