

EEE14K

3.688 FLATS

NOTE: SHIPPED AS UNASSEMBLED  
COMPONENT PARTS

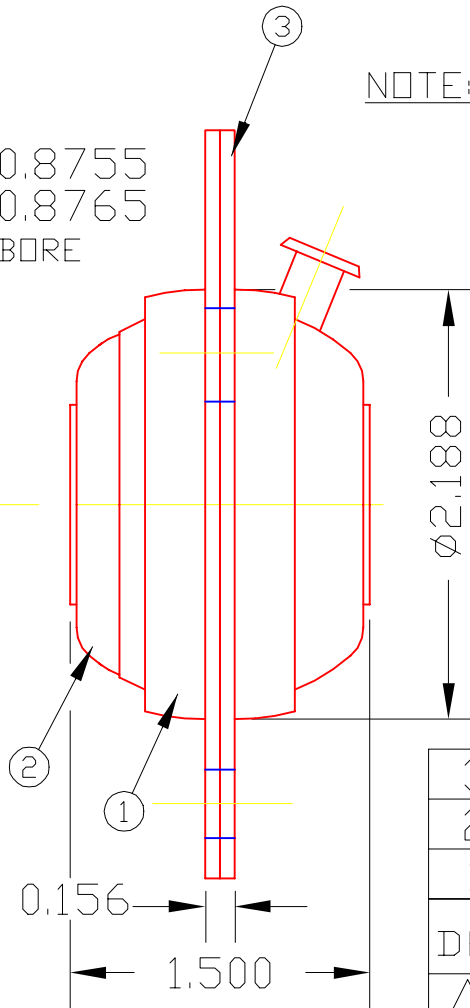
3.750 O.D.

Ø 0.8755  
0.8765  
BORE

Ø3.000  
B.C.

Ø2.188

0.344 SQ.-3 HOLES  
EQUALLY SPACED



3	2794	FLANGE-NOTCH	1
2	E14K	BRG. BALL	1
1	2793	FLANGE	1

DET	PART NUMBER	DESCRIPTION	AMT
-----	-------------	-------------	-----

▲ TRIANGLE MANUFACTURING CO.  
OSHKOSH, WI.

NAME CENTER FLANGE BRG.

USED IN EE SERIES

DATE 08-19-88

PART NO.

DRAWN BW-88

CHECKED SP

SCALE 1 / 1

EEE14K

LUB OIL T.M.C. #L-1

PLATING GALV

MATERIAL SEE DETAILS

ALL DIMS ±.02 UNLESS SPECIFIED

CHANGE LEVEL

- / - / -