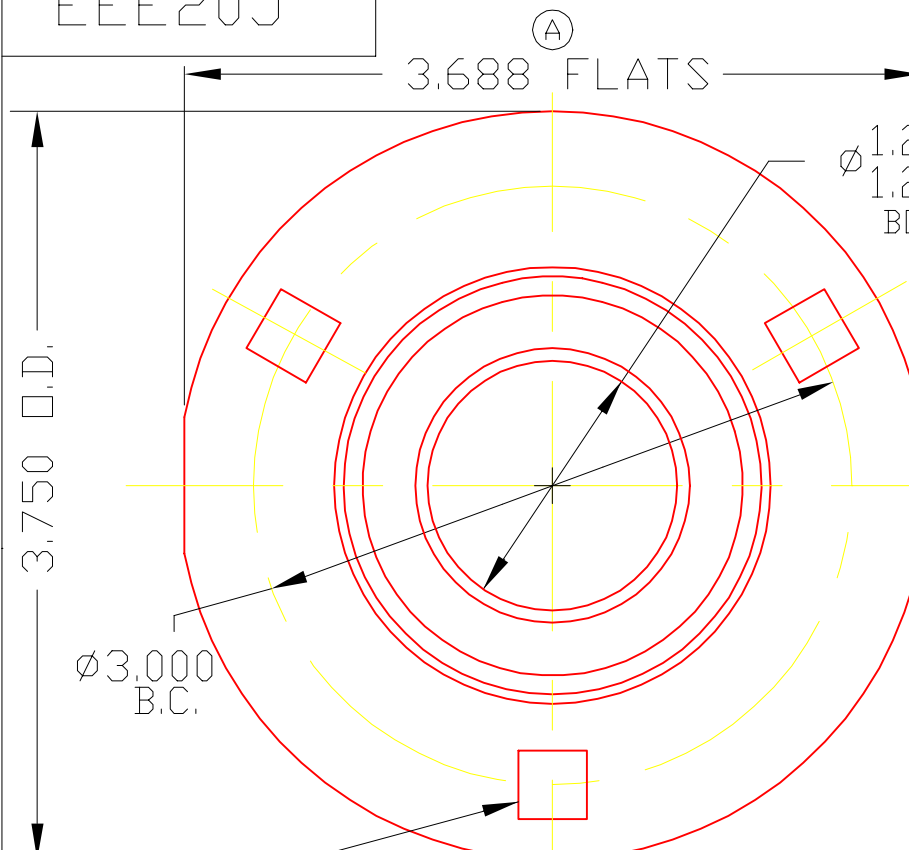
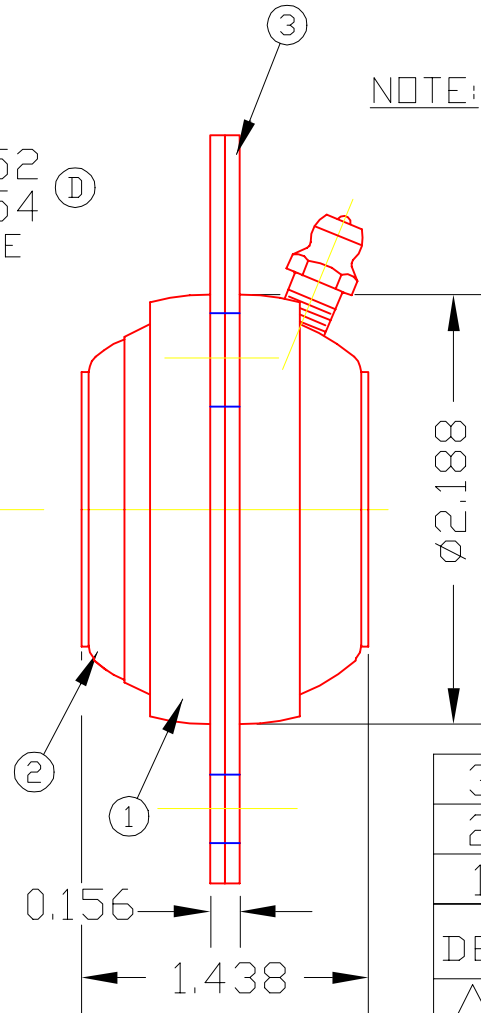


EEE20J



NOTE: SHIPPED AS UNASSEMBLED COMPONENT PARTS



3	2794	FLANGE-NOTCH	1
2	E20J	BRG. BALL	1
1	2793	FLANGE	1

DET	PART NUMBER	DESCRIPTION	AMT
-----	-------------	-------------	-----

A TRIANGLE MANUFACTURING CO.  
OSHKOSH, WI.

NAME CENTER FLANGE BRG.

USED IN EE SERIES

DATE 5-27-63 PART NO.

DRAWN BW-88

CHECKED SP

SCALE 1 / 1

EEE20J

(B)

LUB	NONE
PLATING	GALV
MATERIAL	SEE DETAILS
ALL DIMS ±.02 UNLESS SPECIFIED	

CHANGE LEVEL	
D	04-23-03