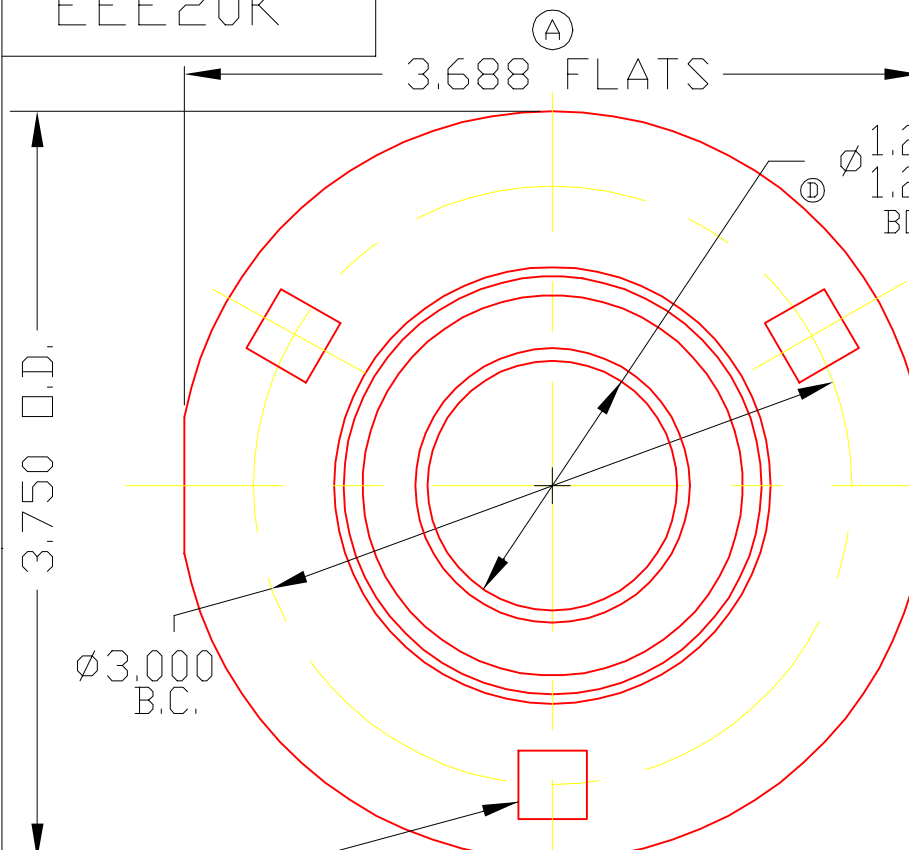
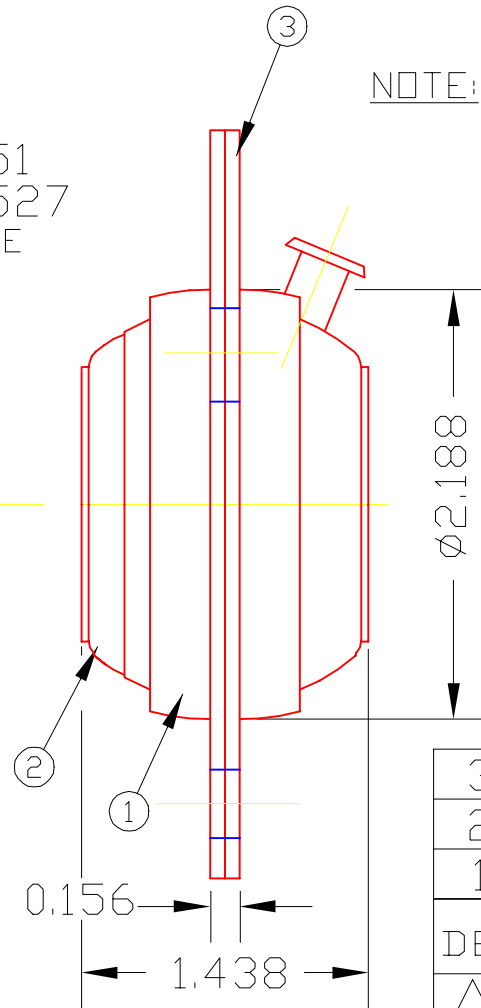


EEE20K



NOTE: SHIPPED AS UNASSEMBLED COMPONENT PARTS



3	2794	FLANGE-NOTCH	1
2	E20K	BRG. BALL	1
1	2793	FLANGE	1

DET	PART NUMBER	DESCRIPTION	AMT
-----	-------------	-------------	-----

A TRIANGLE MANUFACTURING CO.
OSHKOSH, WI.

NAME CENTER FLANGE BRG.

USED IN EE SERIES

DATE 5-27-63

PART NO.

DRAWN BW-88

CHECKED SP

SCALE 1 / 1

EEE20K

(B)

LUB OIL T.M.C. #L-1

PLATING GALV

MATERIAL SEE DETAILS

ALL DIMS ±.02 UNLESS SPECIFIED

CHANGE LEVEL
D 02-17-99