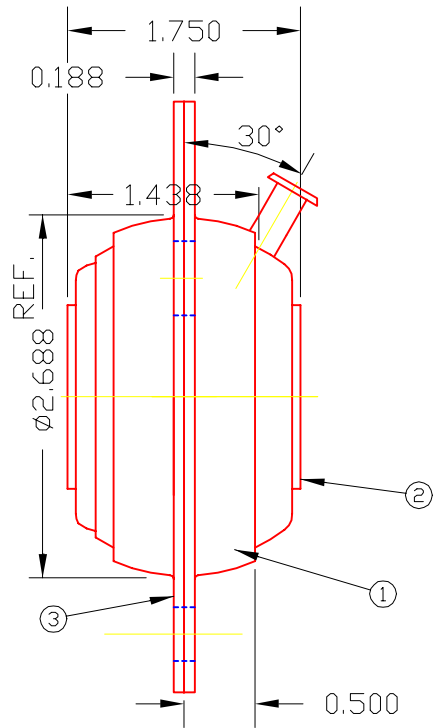
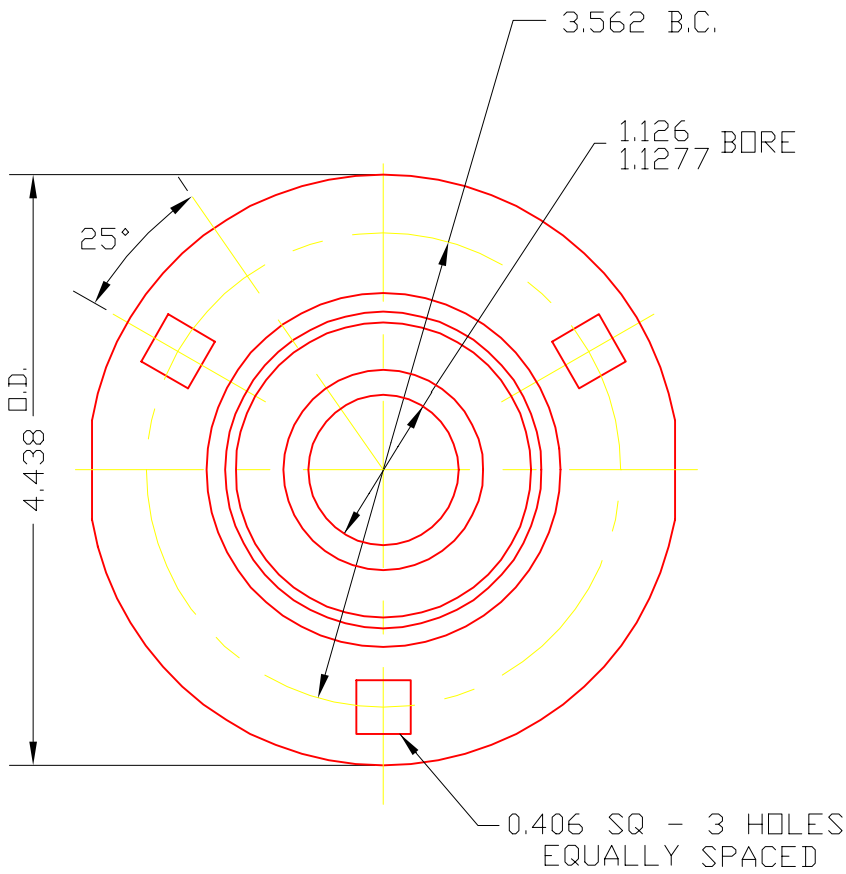


NOTE: SHIPPED AS UNASSEMBLED COMPONENT PARTS



3	4946	FLANGE	1
2	F18K	BALL ASS'Y	1
1	1393	FLANGE	1

DET	PART NUMBER	DESCRIPTION	AMT
B	TRIANGLE MANUFACTURING CO. OSHKOSH, WI.		

NAME FLANGE PILLOW BLOCK	
USED IN EF-SERIES	PART NO.
DATE 10-26-04	EFF18K
DRAWN DR	
CHECKED DR	
SCALE 1 / 1	

LUB. NONE

PLATING GALV

MATERIAL SEE DETAILS

ALL DIMS ±.02 UNLESS SPECIFIED

CHANGE LEVEL
///