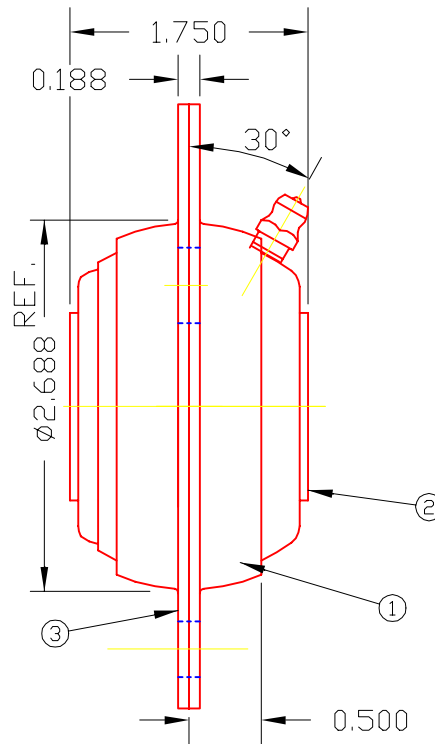
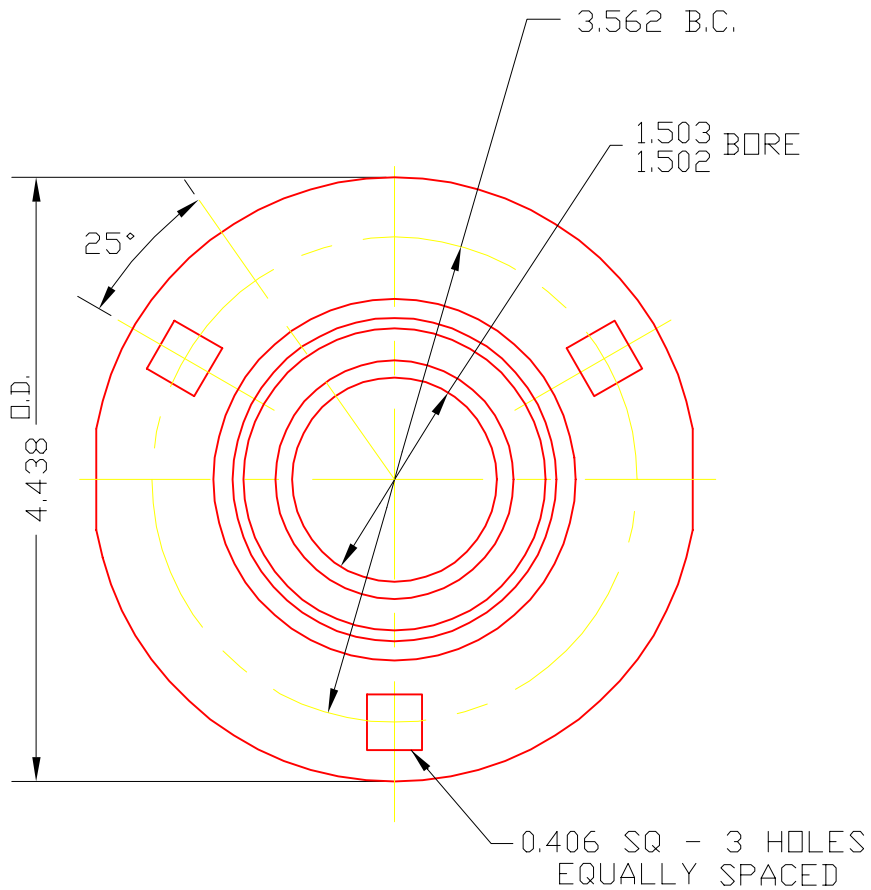


NOTE: SHIPPED AS UNASSEMBLED COMPONENT PARTS



3	4946	FLANGE	1
2	F24J	BALL ASS'Y	1
1	1393	FLANGE	1

DET	PART NUMBER	DESCRIPTION	AMT
-----	-------------	-------------	-----

B TRIANGLE MANUFACTURING CO.
OSHKOSH, WI.

NAME FLANGE PILLOW BLOCK

USED IN EF-SERIES

LUB. NONE	DATE 5-18-61	PART NO.
PLATING GALV	DRAWN SP	EFF24J
MATERIAL SEE DETAILS	CHECKED SP	
ALL DIMS ±.02 UNLESS SPECIFIED	SCALE 1 / 1	

CHANGE LEVEL
D 4-8-77