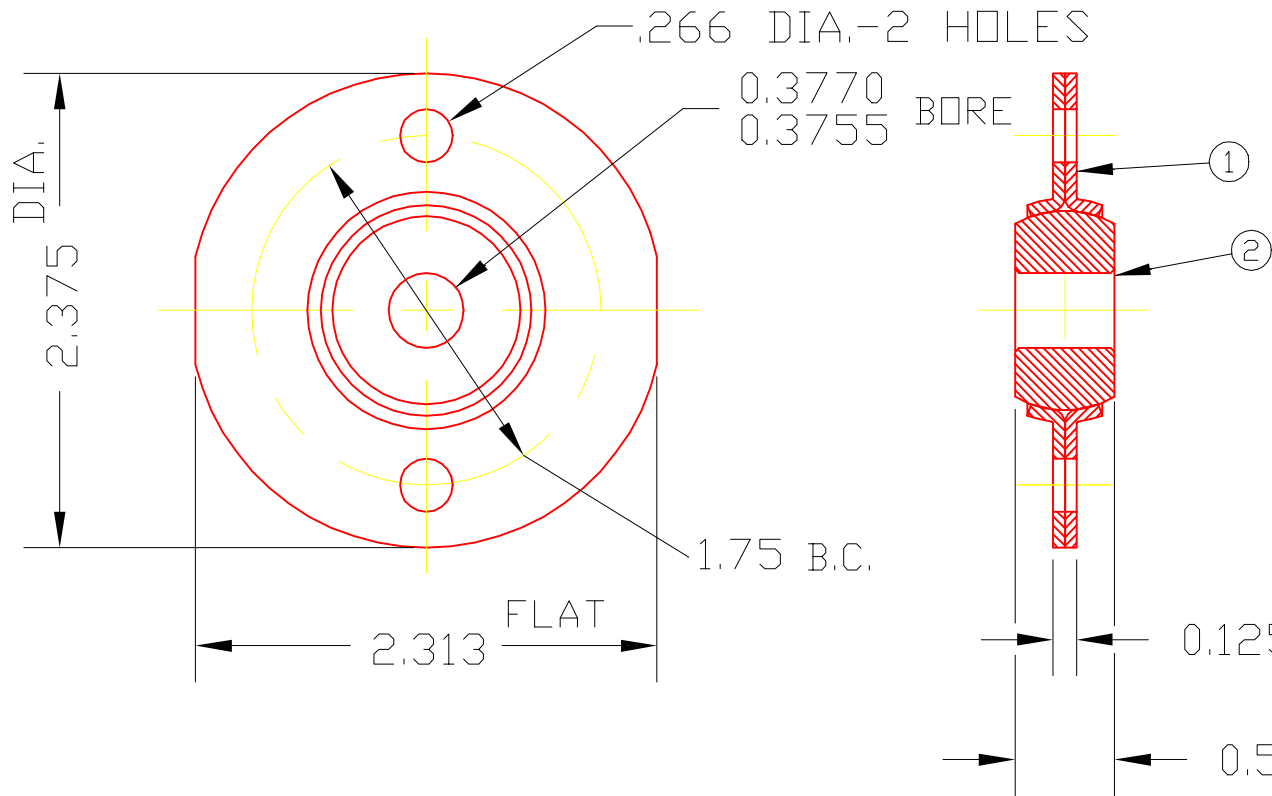


CK1406P



NOTE: SHIPPED AS
UNASSEMBLED
COMPONENT PARTS

2	1406P	BRG. BALL	1
1	1701	BRACKET	2
DET	PART NUMBER	DESCRIPTION	AMT
A TRIANGLE MANUFACTURING CO. OSHKOSH, WI.			

NAME		CENTER FLANGE BRG.
USED IN		CK-SERIES
DATE	8-30-88	PART NO. CK1406P
DRAWN	SP	
CHECKED	SP	
SCALE		1 / 1

LUB.	OIL
PLATING	GALV
MATERIAL	SEE DETAILS
ALL DIMS ±.02 UNLESS SPECIFIED	

CHANGE LEVEL			
-	-	-	-