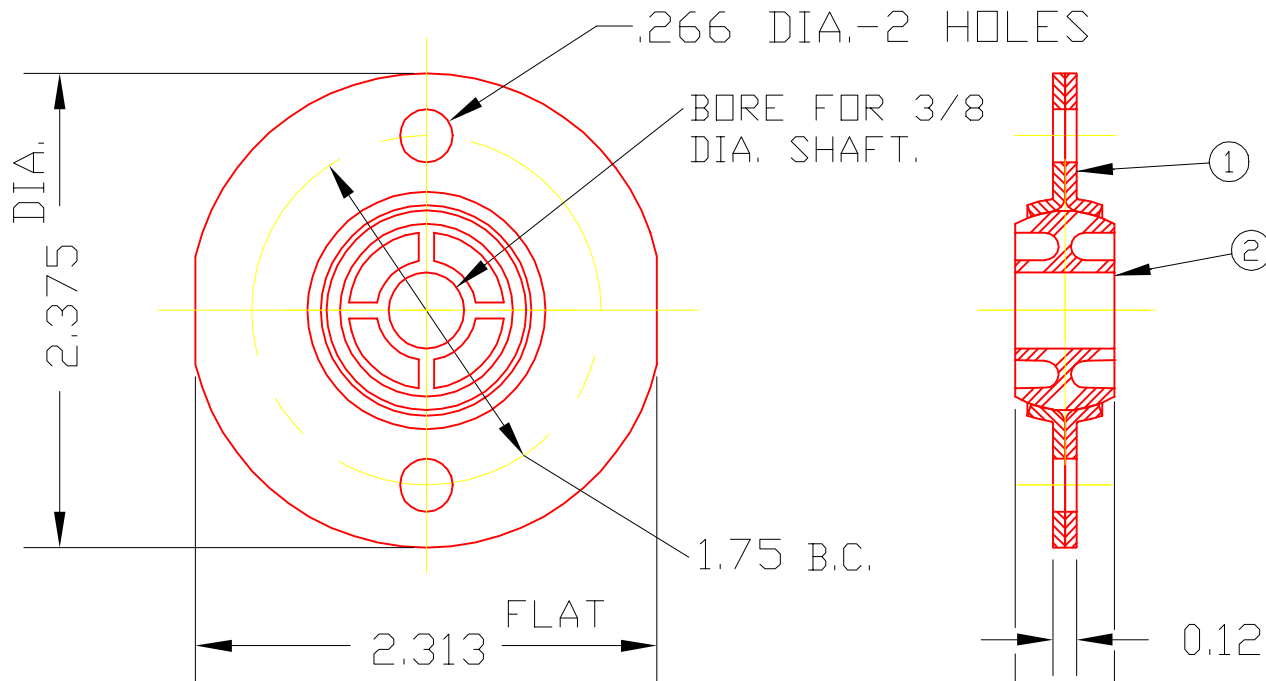



CKN6

NOTE: SHIPPED AS
UNASSEMBLED
COMPONENT PARTS



2	N6	BRG. BALL	1
1	1701	BRACKET	2
DET	PART NUMBER	DESCRIPTION	AMT
 TRIANGLE MANUFACTURING CO. OSHKOSH, WI.			

NAME CENTER FLANGE BRG.

USED IN CK-SERIES

DATE 8-29-61

PART NO.

DRAWN SP

CHECKED SP

SCALE 1 / 1

CKN6

LUB.	
PLATING	GALV
MATERIAL	SEE DETAILS
ALL DIMS ±.02 UNLESS SPECIFIED	

CHANGE LEVEL
C 11-29-73