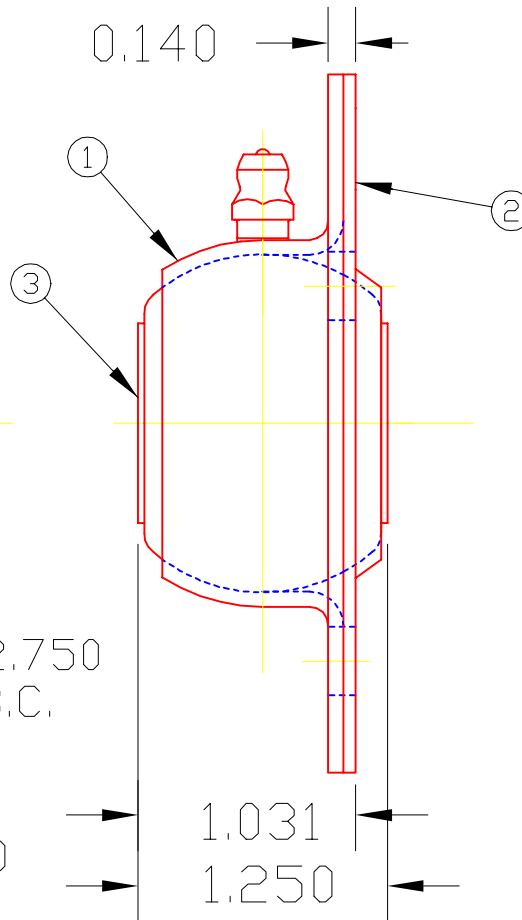
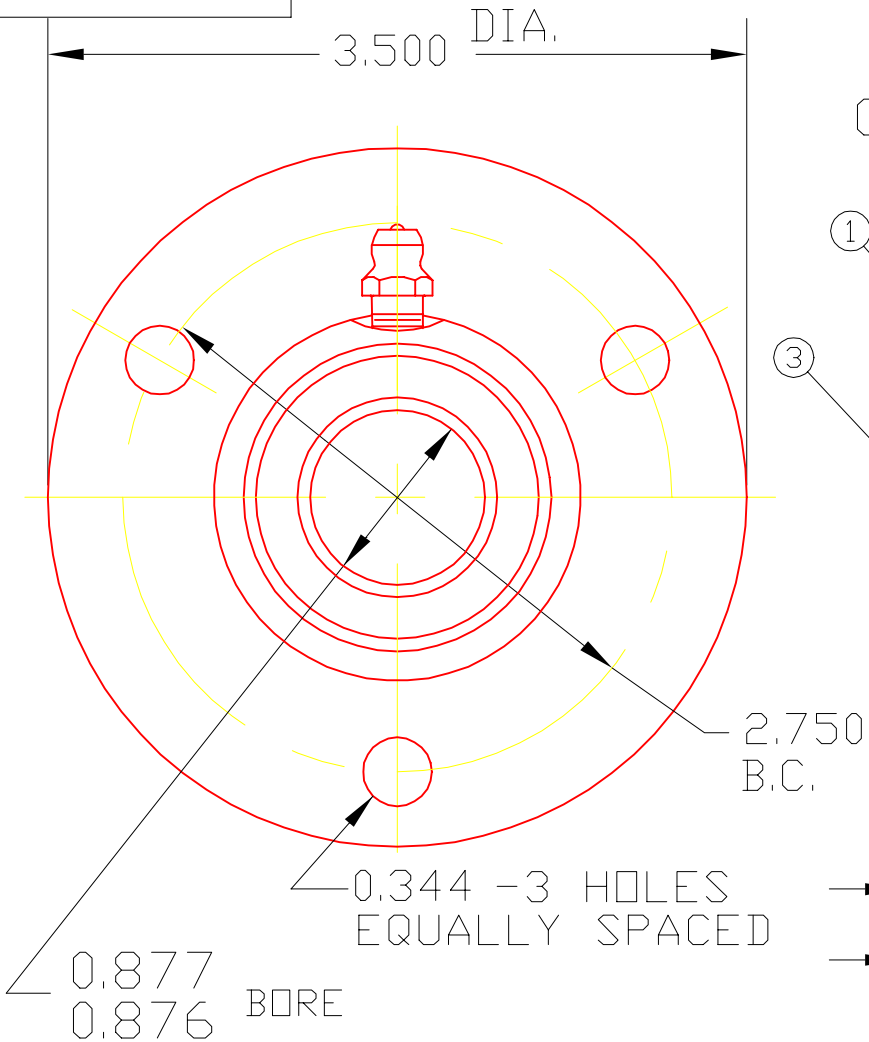


GBH14G



NOTE: SHIPPED AS
UNASSEMBLED
COMPONENT PARTS

3	H14G	BALL BRG.	1
2	1898	BACK PLATE	1
1	1769	MOUNTING	1

DET	PART NUMBER	DESCRIPTION	AMT
-----	-------------	-------------	-----

△ TRIANGLE MANUFACTURING CO.
OSHKOSH, WI.

NAME MID FLANGE BRG.

USED IN GB-SERIES

DATE	3-16-72	PART NO. GBH14G
DRAWN	SP	
CHECKED	SP	
SCALE	1 / 1	

LUB.	NONE
PLATING	GALV.
MATERIAL	SEE DETAILS
ALL DIMS ±.02 UNLESS SPECIFIED	

CHANGE LEVEL	
A	2-25-74