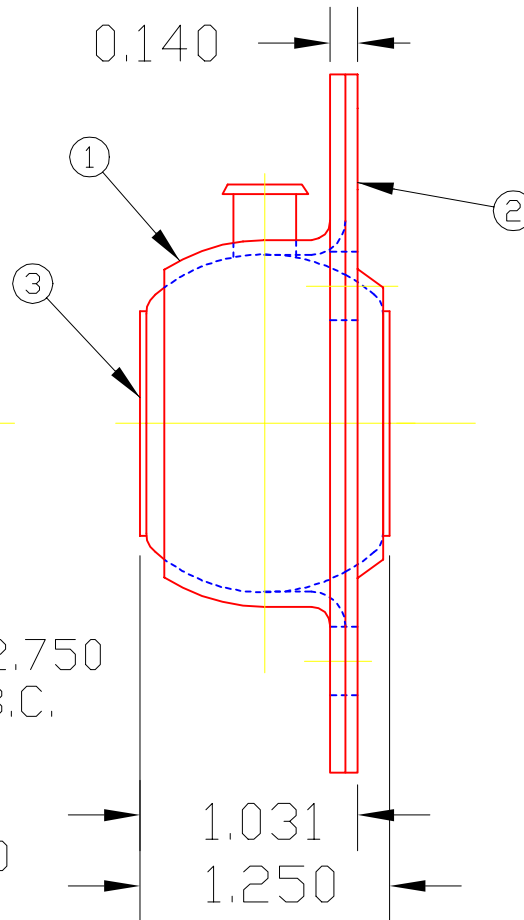
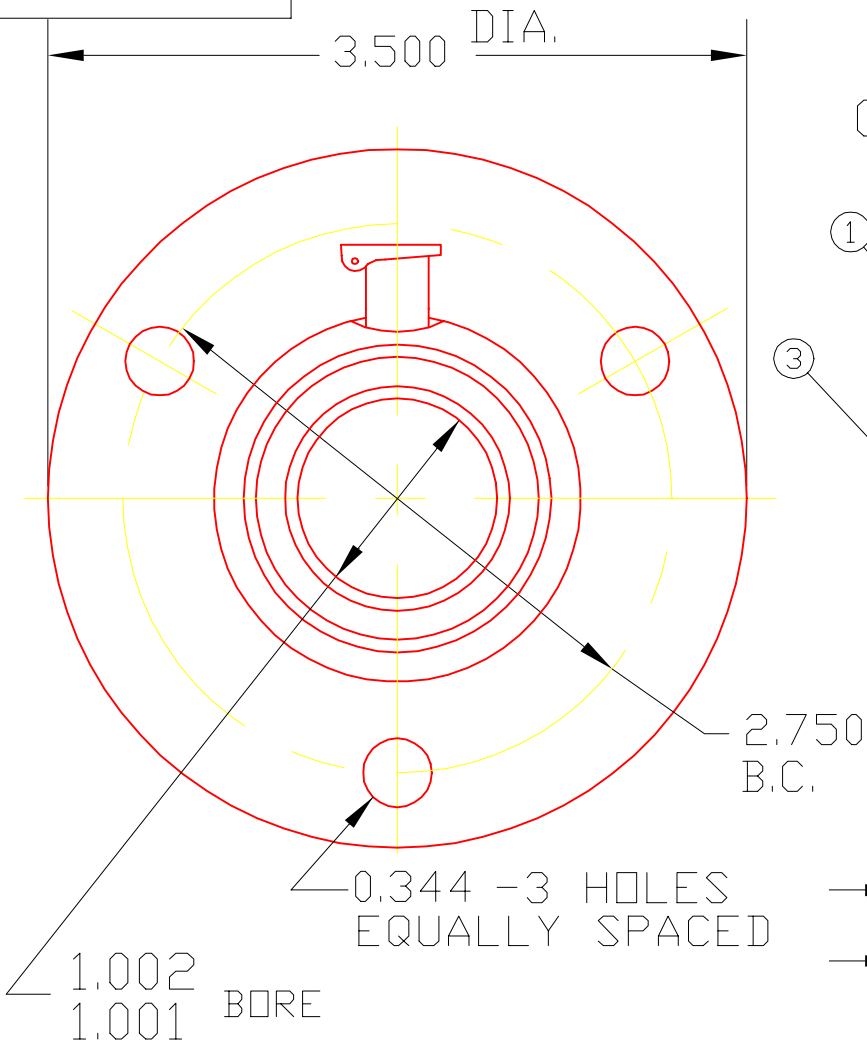


GBH16A

NOTE: SHIPPED AS UNASSEMBLED COMPONENT PARTS



3	H16A	BALL BRG.	1
2	1898	BACK PLATE	1
1	1769	MOUNTING	1

DET	PART NUMBER	DESCRIPTION	AMT
-----	-------------	-------------	-----

△ TRIANGLE MANUFACTURING CO.  
OSHKOSH, WI.

NAME MID FLANGE BRG.

USED IN GB-SERIES

DATE 11-20-61 PART NO.

DRAWN SP

CHECKED SP

SCALE 1 / 1

GBH16A

CHANGE LEVEL	
A	2-25-74

LUB.	OIL-T.M.C. #L-1
PLATING	GALV.
MATERIAL	SEE DETAILS
ALL DIMS ±.02 UNLESS SPECIFIED	